

# Burner Collection

## 13" Burner

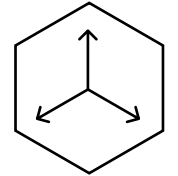
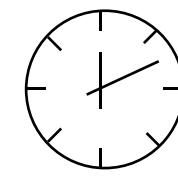
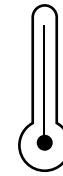
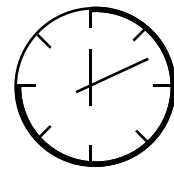
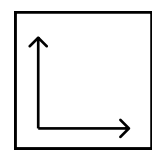
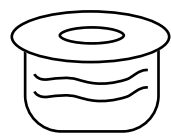
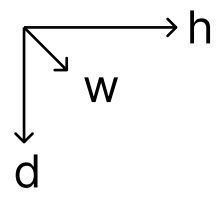


### Included Accessories

---



# Burner Collection 13" Burner



Dimensions H x W x D mm/in	Fuel Capacity	Heats on Average (indoors)	Fuel Consumption	Thermal Output Net (MAX)	Approx. Burn Time	Minimum Room Size (per burner)
64 × 330 × 127 2.5 × 13.0 × 5.0	0.7L	Over 40m <sup>2</sup> [430 ft <sup>2</sup> ]	0.7L per hour	12,000 BTU/h 3.5 Kw	1 hour	150 sq. ft.

## Awards

2010 Winner Outdoor Hearth Products  
Vesta Awards

## Application

Indoor & Outdoor

## Burner Colour

 Stainless Steel

## Materials

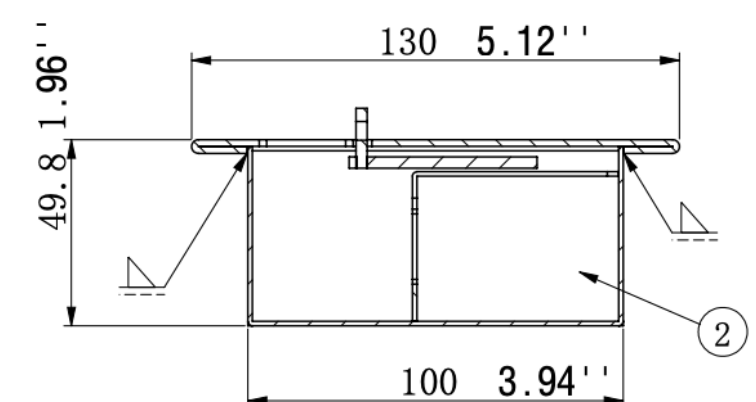
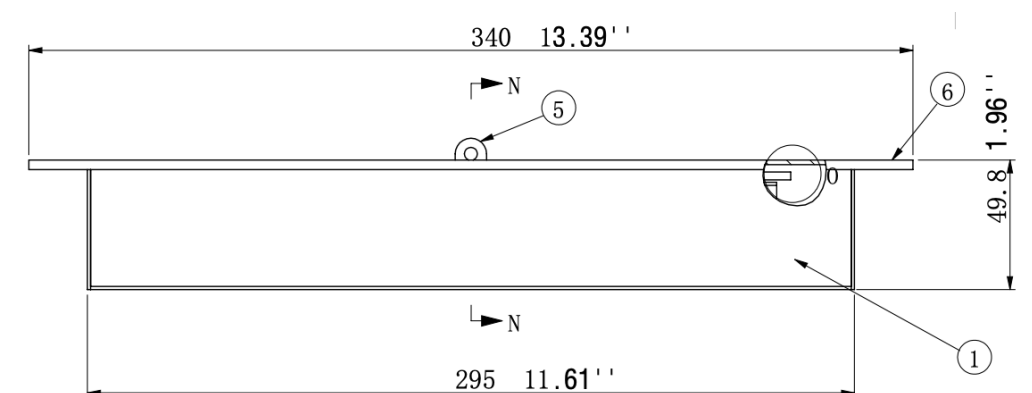
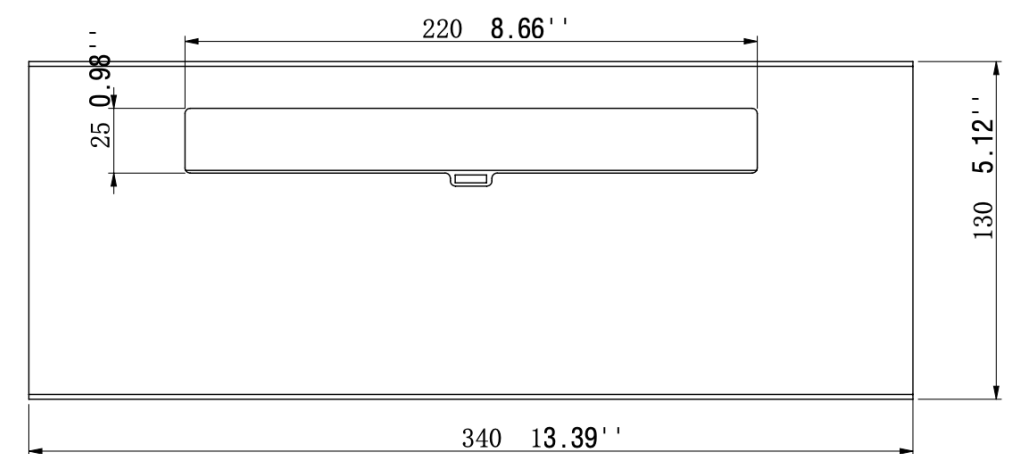
Grade 304 Stainless Steel Construction

## Approx. Weight

7 lbs

## Fuel Type

Bio Ethanol Fuel



### Inserting within a firebox setting:

The Bio Flame 13" BURNER can only be fitted into a non-combustible firebox that has minimum clearances of 21"W x 20"H x 13"D.

### Custom made fireboxes must:

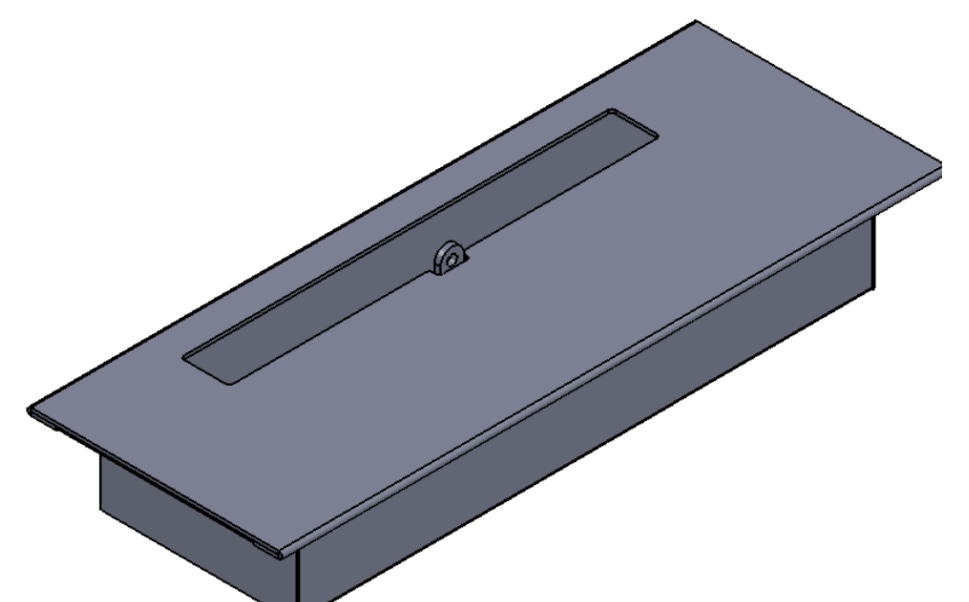
- Be made out of a non-combustible material such as stainless steel
- \*When recessing the tray into a non-combustible base with no firebox, the overhead clearance required is 60"MIN. to the nearest combustible\*



Global Compliance  
All burners are UL Listed in accordance with ANSI/  
UL1370 in the USA and comply with the ACCC Safety  
Mandate for Australia.



Lifetime Warranty



**FOR MORE INFORMATION PLEASE REFERENCE THE CLEARANCE & INSTALLATION MANUAL**

\*Dimensions may vary by 2% (plus or minus) due to material attributes. Template not provided. The Bio Flame recommends using the actual fireplace or burner model when making final cut out

