

# Grate Kit Collection

## 13" Round Grate Kit



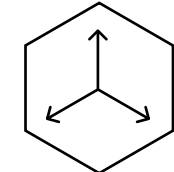
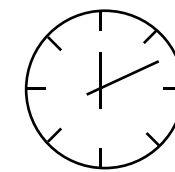
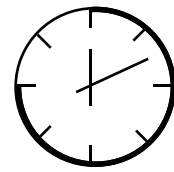
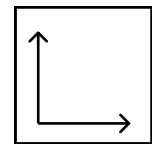
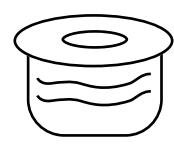
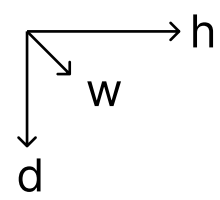
### Included Accessories

---



# Grate Kit Collection

## 13" Round Grate Kit



| Dimensions<br>H x W x D mm/in        | Fuel<br>Capacity | Heats on Average<br>(indoors)                     | Fuel<br>Consumption | Thermal Output<br>Net (MAX) | Approx.<br>Burn Time | Minimum Room<br>Size (per burner) |
|--------------------------------------|------------------|---|---------------------|-----------------------------|----------------------|-----------------------------------|
| 150 x 370 x 370<br>5.9 x 14.6 x 14.6 | 3.0L             | Over 98m <sup>2</sup><br>[1,054 ft <sup>2</sup> ] | 0.88L per hour      | 29000 BTU/h<br>8.5Kw        | 3.4 hours            | 250 sq. ft.                       |

### Awards

2010 Winner Outdoor Hearth Products Vesta Awards

### Application

Indoor & Outdoor

### Materials

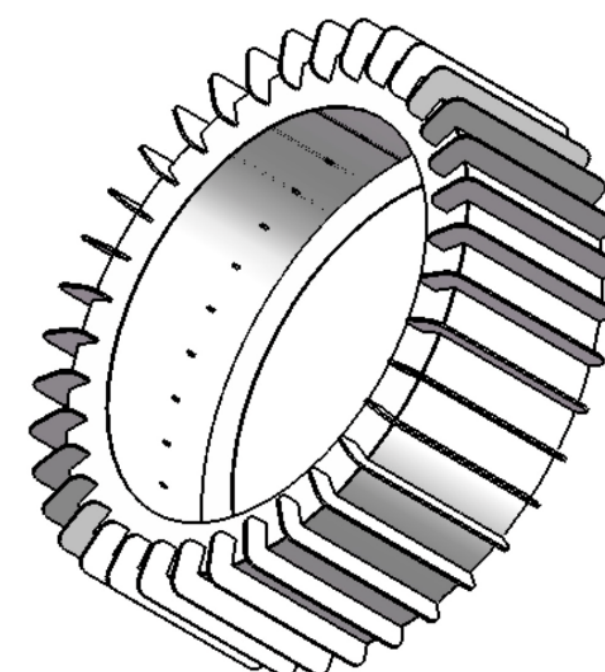
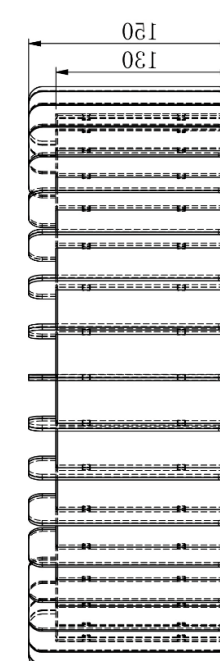
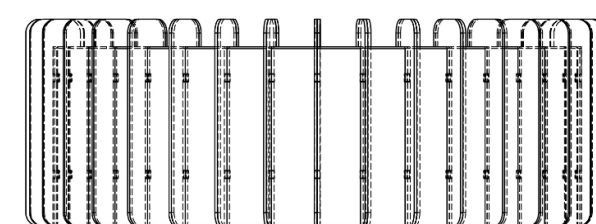
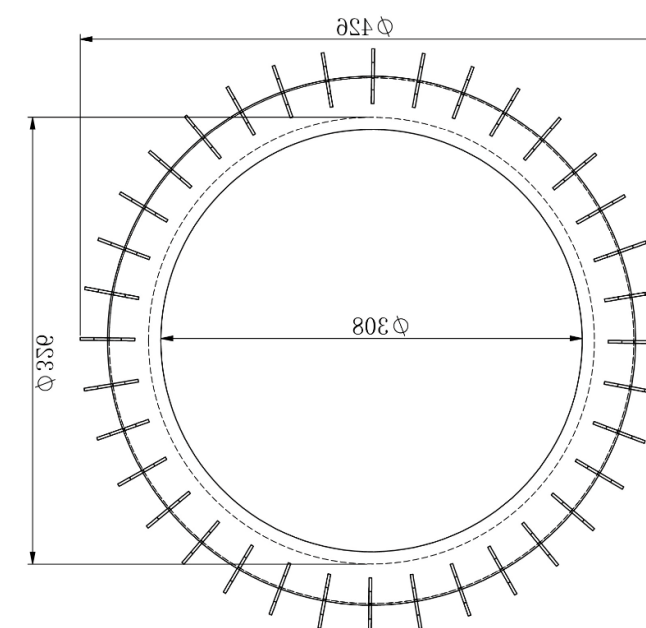
304 Stainless Steel Construction

### Approx. Weight

13 lbs

### Fuel Type

Bio Ethanol Fuel



Global Compliance  
All burners are UL Listed in accordance with ANSI/UL1370 in the USA and comply with the ACCC Safety Mandate for Australia.



Lifetime Warranty

FOR MORE INFORMATION PLEASE REFERENCE THE CLEARANCE & INSTALLATION MANUAL

\*Dimensions may vary by 2% (plus or minus) due to material attributes. Template not provided. The Bio Flame recommends using the actual fireplace or burner model when making final cut out

