

Burner Collection

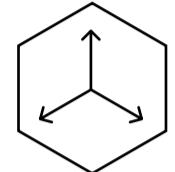
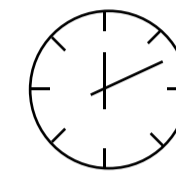
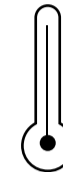
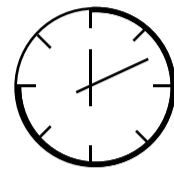
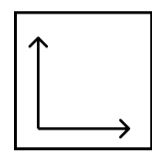
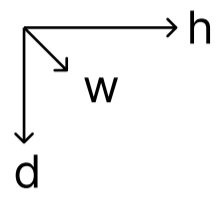
13" Burner



Included Accessories



Burner Collection 13" Burner



Dimensions H x W x D mm/in	Fuel Capacity	Heats on Average (indoors)	Fuel Consumption	Thermal Output Net (MAX)	Approx. Burn Time	Minimum Room Size (per burner)
340 x 49.8 x 130 13.39" x 1.96" x 5.12"	0.7L	30-40m ²	2.1L per hour	10,600 BTU/h 3.1 Kw	1.5 hour	60 m ³

Awards

2010 Winner Outdoor Hearth Products
Vesta Awards

Application

Indoor & Outdoor

Burner Colour

 Stainless Steel

Materials

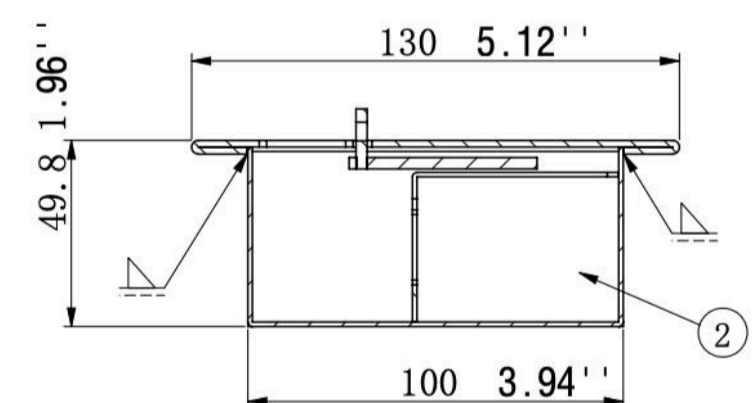
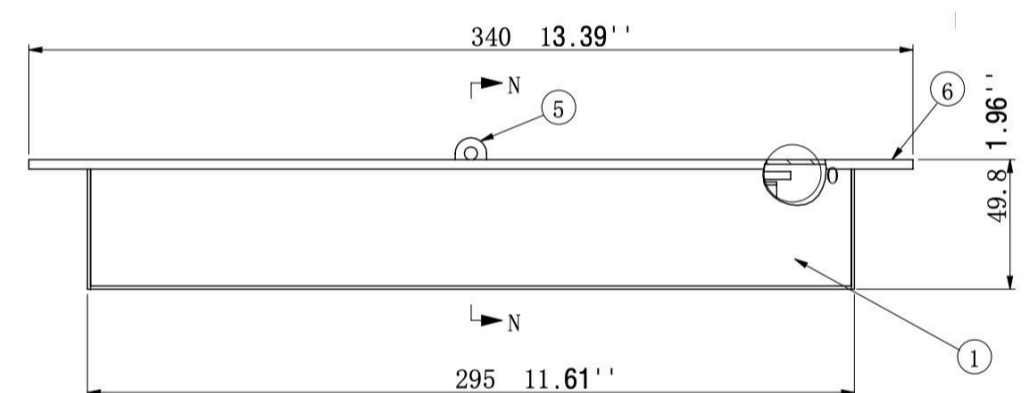
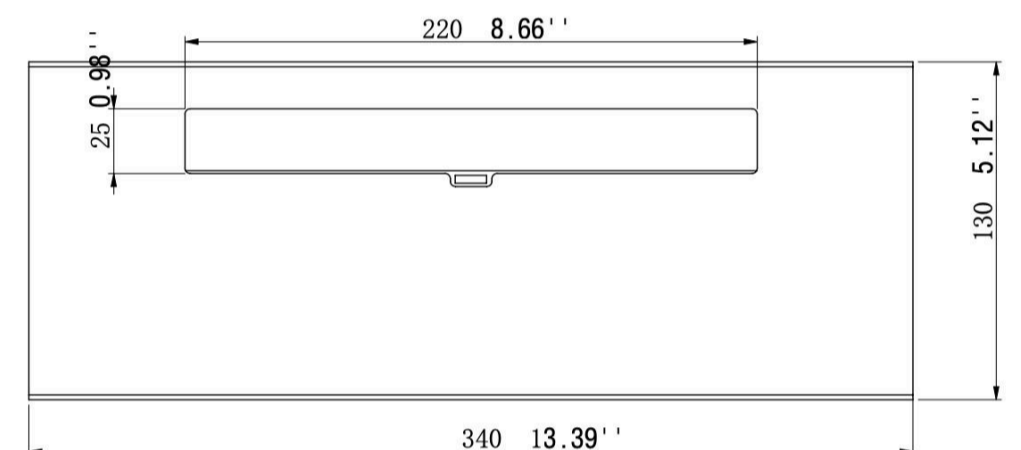
Grade 304 Stainless Steel Construction

Approx. Weight

7 lbs

Fuel Type

Bio Ethanol Fuel



Inserting within a firebox setting:

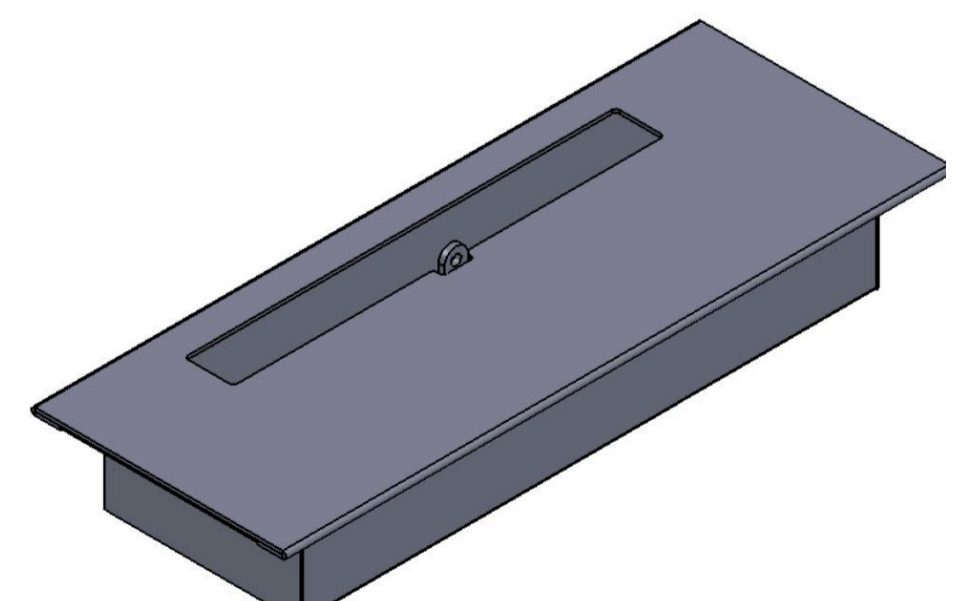
The Bio Flame 13" BURNER can only be fitted into a non-combustible firebox that has minimum clearances of 21"W x 20"H x 13"D.

Custom made fireboxes must:

- Be made out of a non-combustible material such as stainless steel
- *When recessing the tray into a non-combustible base with no firebox, the overhead clearance required is 60"MIN. to the nearest combustible*



Lifetime Warranty



FOR MORE INFORMATION PLEASE REFERENCE THE CLEARANCE & INSTALLATION MANUAL

*Dimensions may vary by 2% (plus or minus) due to material attributes. Template not provided. The Bio Flame recommends using the actual fireplace or burner model when making final cut out

THE BIOFLAME
EST.2007