

Grate Kit Collection

13" Round Grate Kit

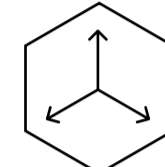
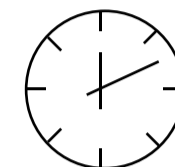
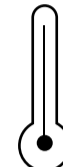
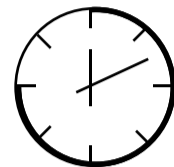
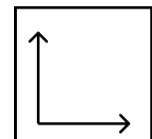
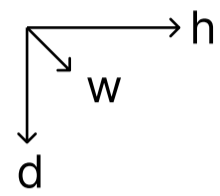


Included Accessories



Grate Kit Collection

13" Round Grate Kit



Dimensions H x W x D mm/in	Fuel Capacity	Heats on Average (indoors)	Fuel Consumption	Thermal Output Net (MAX)	Approx. Burn Time	Minimum Room Size (per burner)
150 x 370 x 370 5.9 x 14.6 x 14.6	3.0L	Over 98m ² [1,054 ft ²]	0.88L per hour	29000 BTU/h 8.5Kw	3.4 hours	250 sq. ft.

Awards

2010 Winner Outdoor Hearth Products Vesta Awards

Application

Indoor & Outdoor

Materials

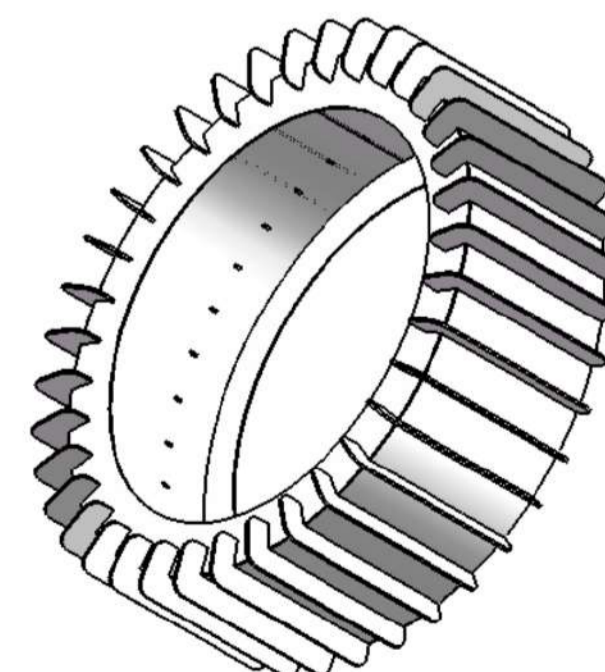
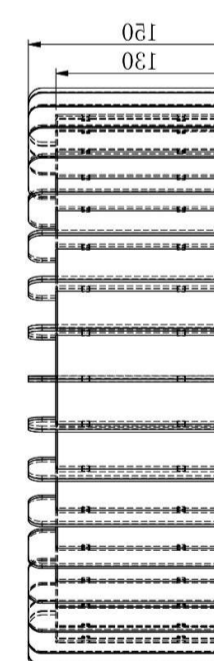
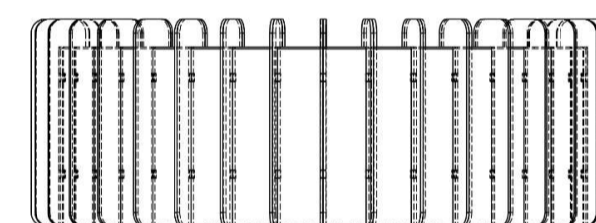
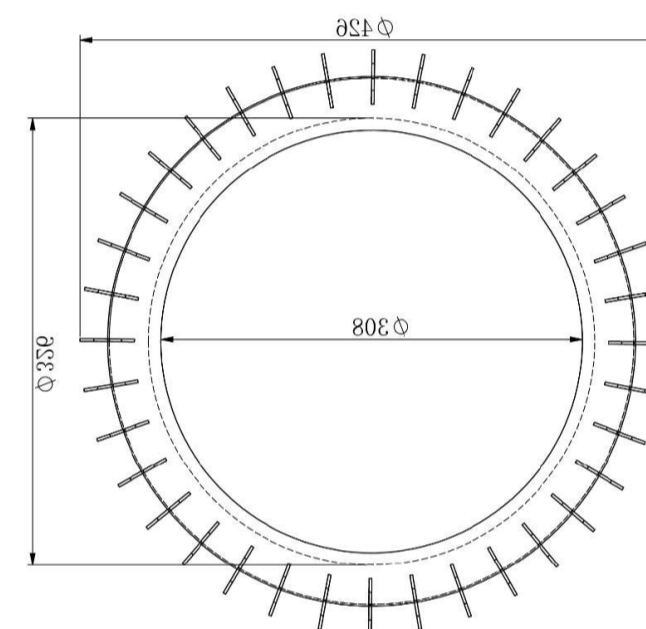
304 Stainless Steel Construction

Approx. Weight

13 lbs

Fuel Type

Bio Ethanol Fuel



Lifetime Warranty

FOR MORE INFORMATION PLEASE REFERENCE THE CLEARANCE & INSTALLATION MANUAL

*Dimensions may vary by 2% (plus or minus) due to material attributes. Template not provided. The Bio Flame recommends using the actual fireplace or burner model when making final cut out

