

# Grate Kit Collection

## 16" Grate Kit

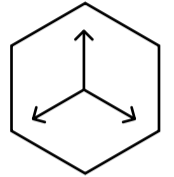
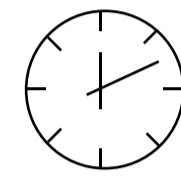
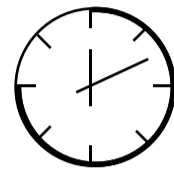
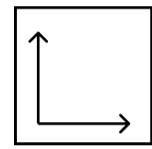
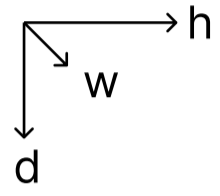


### Included Accessories



# Grate Kit Collection

## 16" Grate Kit



Dimensions H x W x D mm/in	Fuel Capacity	Heats on Average (indoors)	Fuel Consumption	Thermal Output Net (MAX)	Approx. Burn Time	Minimum Room Size (per burner)
120 × 426 × 240 4.7 × 16.8 × 9.4	2.5L	Over 69m <sup>2</sup> [742 ft <sup>2</sup> ]	0.89L per hour	17,000 BTU/h 5.0 Kw	2.8 hours	150 sq. ft.

### Awards

2010 Winner Outdoor Hearth Products Vesta Awards

### Application

Indoor & Outdoor

### Materials

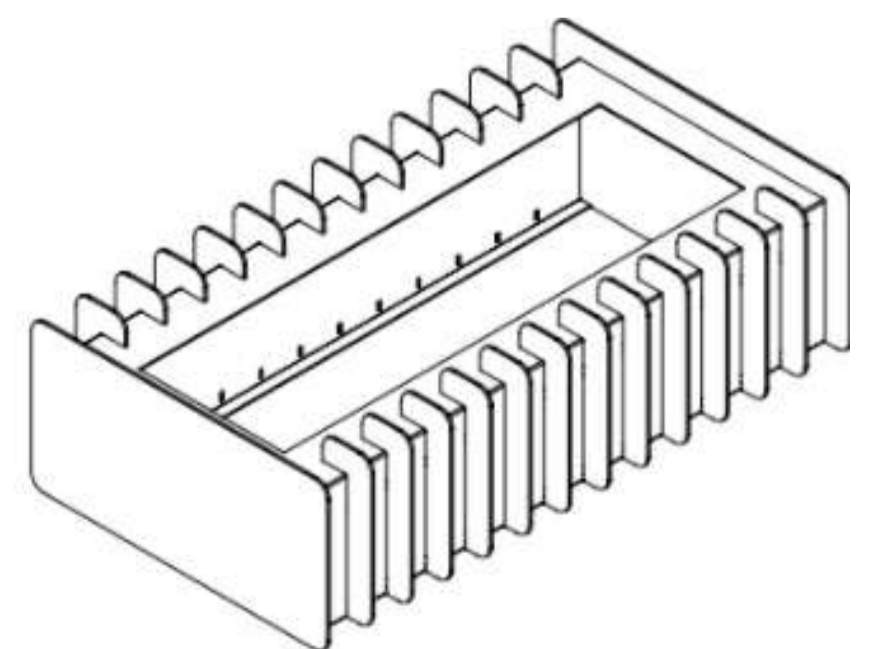
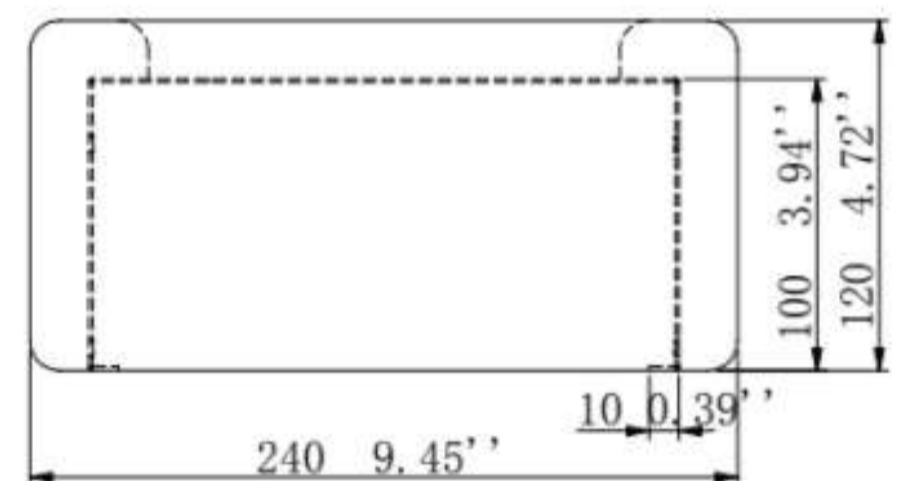
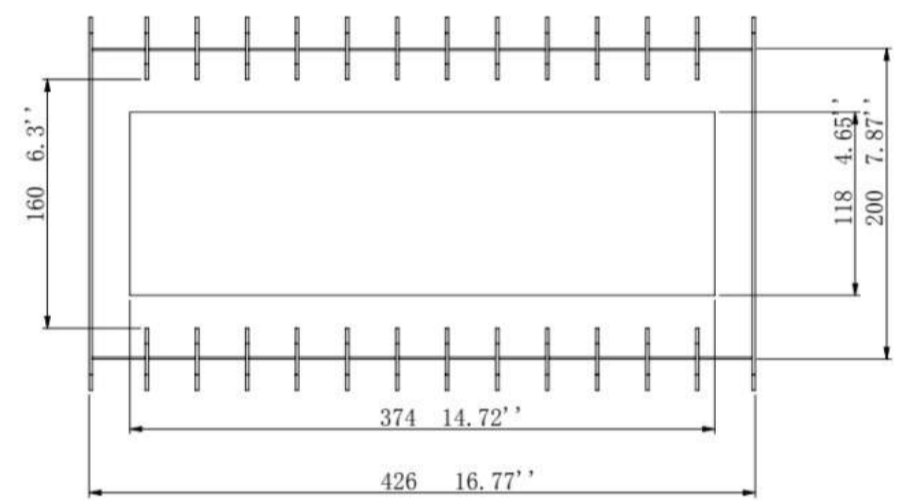
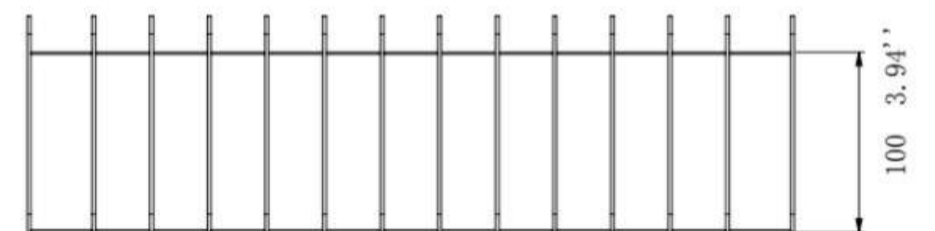
304 Stainless Steel Construction

### Approx. Weight

13 lbs

### Fuel Type

Bio Ethanol Fuel



Lifetime Warranty

FOR MORE INFORMATION PLEASE REFERENCE THE CLEARANCE & INSTALLATION MANUAL

\*Dimensions may vary by 2% (plus or minus) due to material attributes. Template not provided. The Bio Flame recommends using the actual fireplace or burner model when making final cut out

