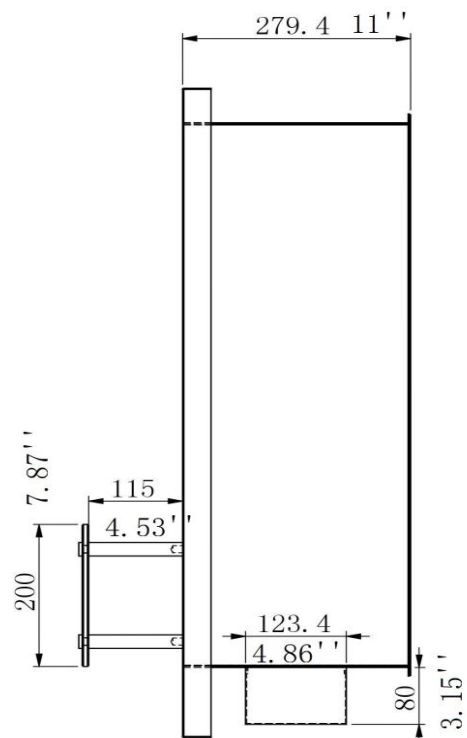
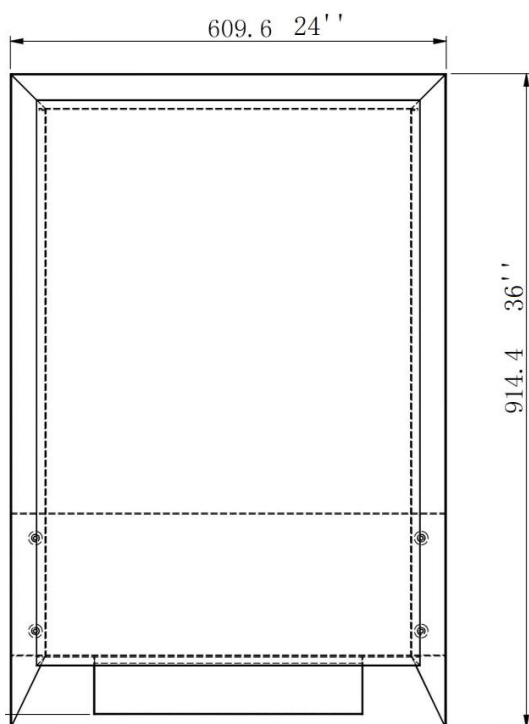
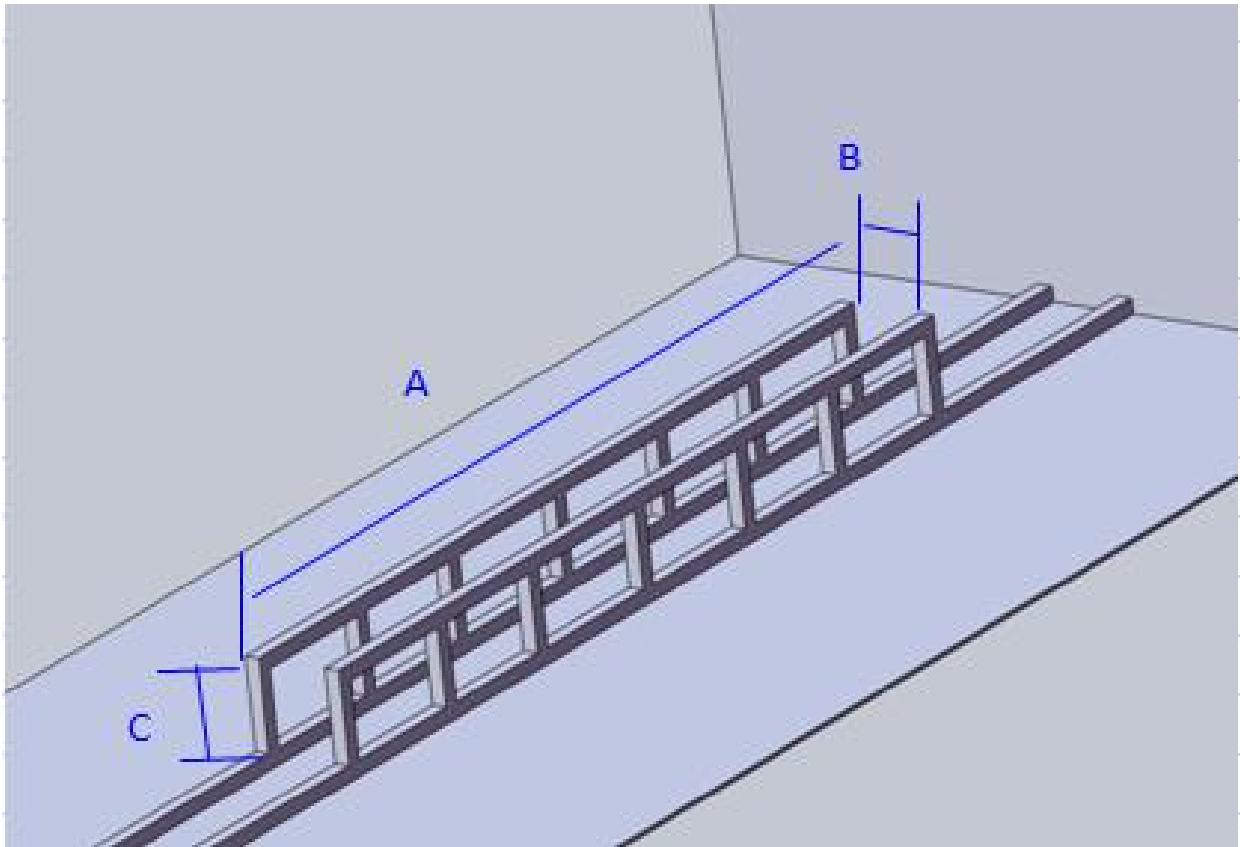


the
bio  Flame

24" FIREBOX SS

Installation Instructions

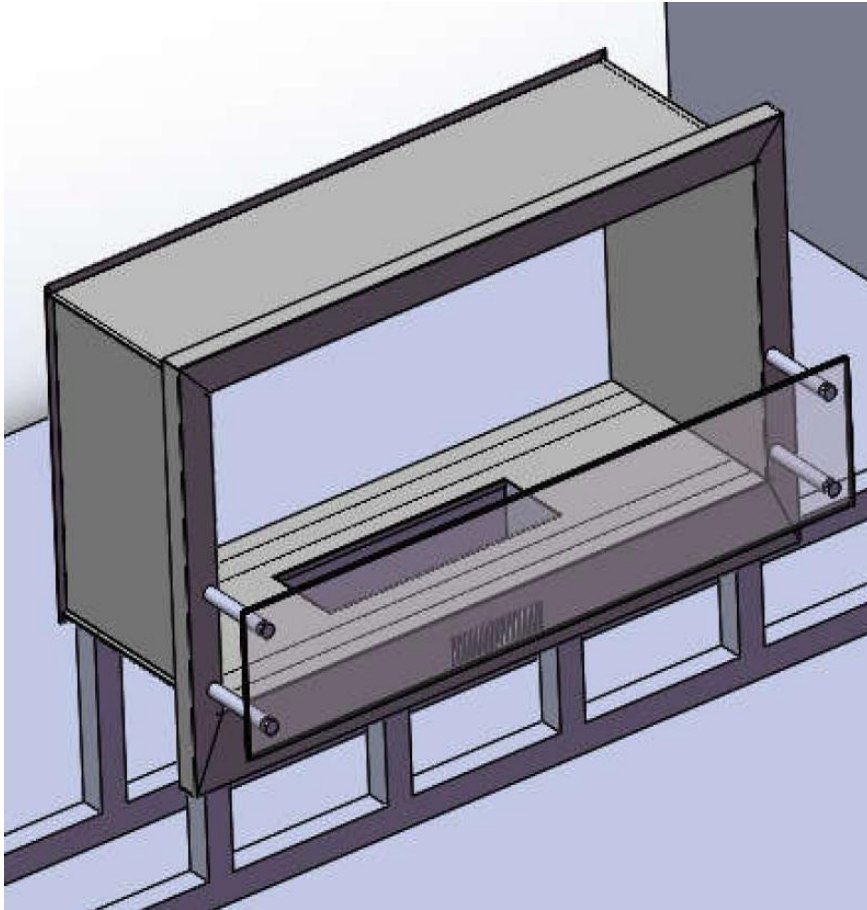




Non combustible materials must be used around the firebox! The Firebox cavity must be a lined with a minimum of 3/8" thick cement board.

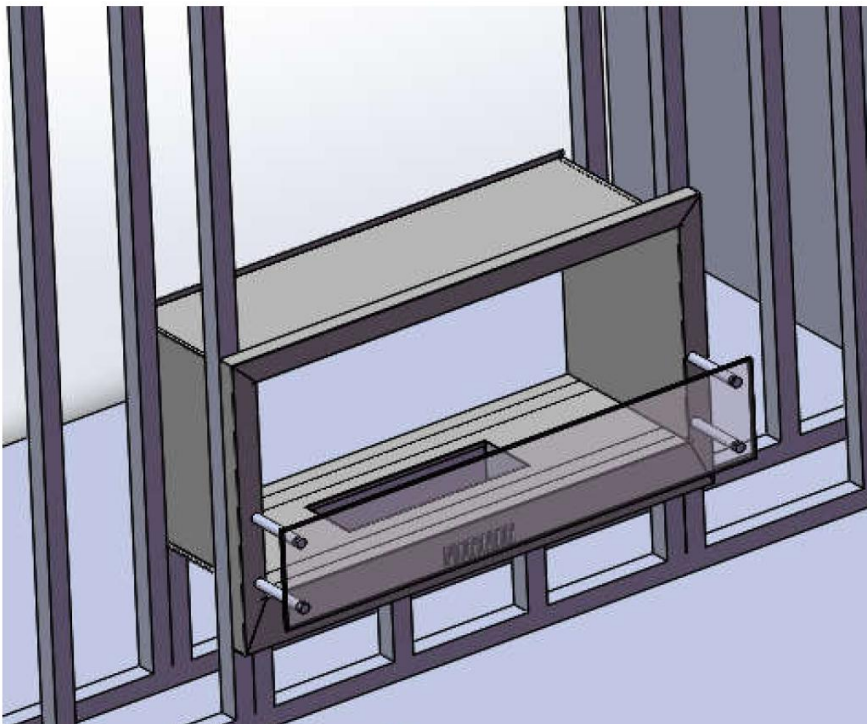
A: 609.6mm (24") B: 133.4mm (5.25") C: 165mm (6")

1. Line the base with cement board and insert your Firebox into the base.
2. Make sure the firebox is centered



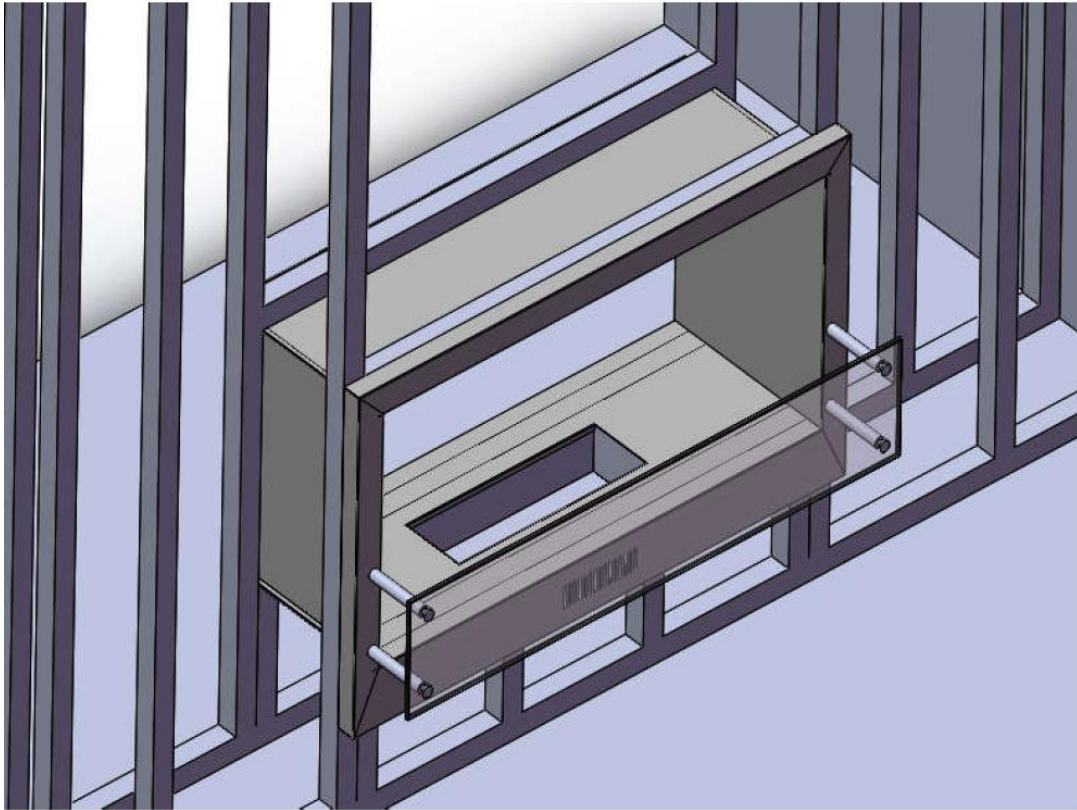
3. Continue building the wall, ensuring that there is a layer of cement board between the stud and your Firebox on all sides.

4. First stud on either side of the Firebox must be flush with the Firebox and flange



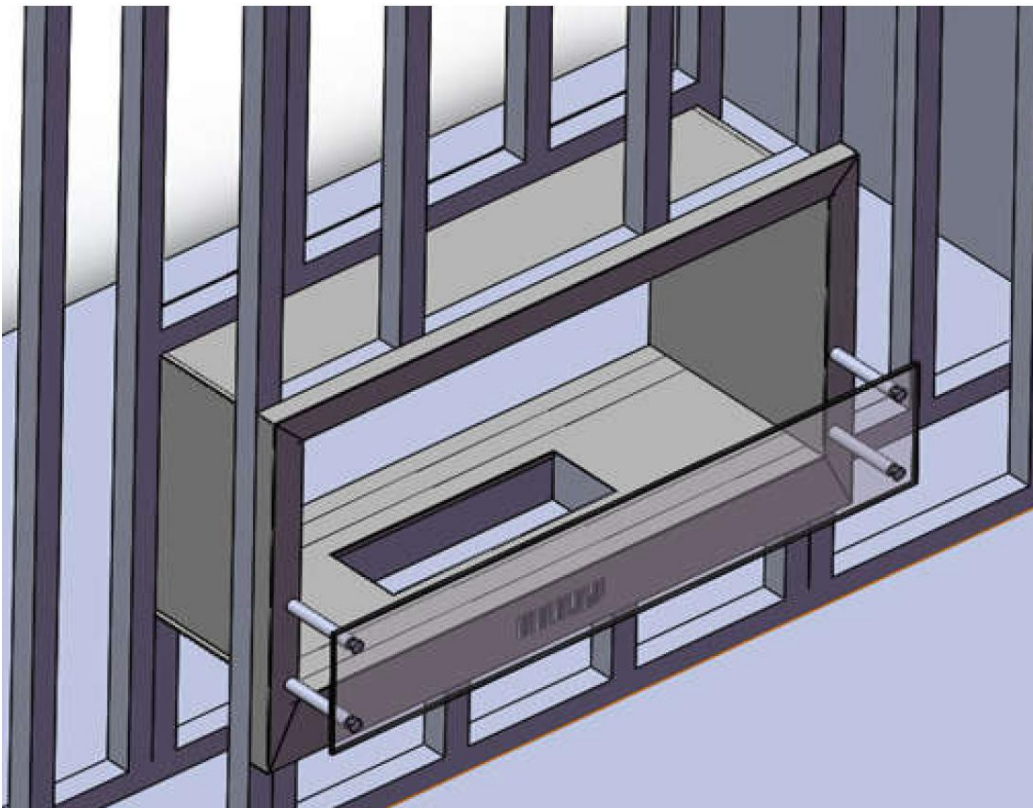
5. Install a stud horizontally on top of the firebox to be able to continue with the wall.

6. Screw the top of horizontal stud directly to the Firebox brackets (use 0.5 inch metal zips)



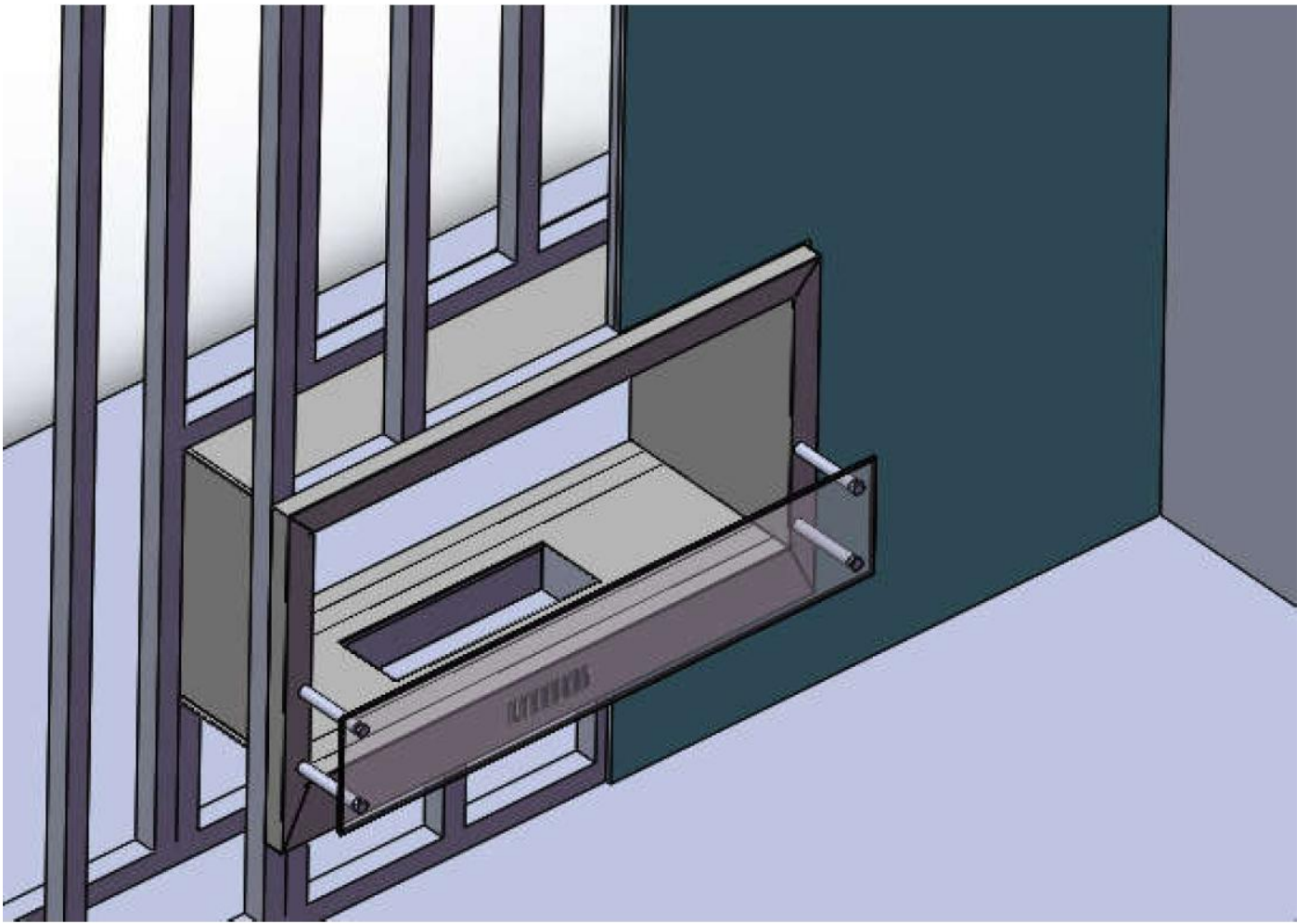
7. Continue building the wall

8. Support the firebox with screws around the flange into the stud



9. Cover the firebox with sheetrock, wonderboard, stones, tile, etc.

10. Mount the glass into firebox



User's manual and Safety Instructions

of The Bio Flame Fireplace

Keep this user's manual carefully for the life of this product. This product is only sold in combination with its user's manual.

Please read below instructions before putting your The Bio Flame to use. Make sure the guideline as provided are followed.

The Bio Flame is meant for indoor/outdoor use. The recommended temperature radius: 10 °C/50 °F until 25 °C/77 °F

Installation of the wall mount series:

- The Bio Flame is to be placed or hung on a fireproof foundation or wall.
- When attaching to a wall, we advise you to keep a safety distance of 1 cm from the wall. N
- Never remove the isolation layer on the backside.
- Make sure that The Bio Flame is leveled when placed/hung horizontally as well as vertically. This is to make sure that the liquid can not run out of the burner.
- Keep a safety distance of at least 1 meter (on both the left-, right- and front side) for objects. Keep flammable objects (eg curtains, furniture or bookshelves) away from The Bio Flame.
- Do not place The Bio Flame next to underneath, or on top of a windowsill.
- Use The Bio Flame only in a draft-free room, otherwise soot can come into being. However, make sure that there is some form of ventilation.
- The Bio Flame delivers its own unique fuel: The Bio Flame bio ethanol. The Bio Flame can only function optimally in the combination with this bio ethanol. Never use another liquid or gel to refill The Bio Flame. As a consequence, the warranty will expire as well.

Installation of floor level The Bio Flame Fireplaces:

- Make sure Bio Flame is kept at least 20 inches away from furniture and other obstructions.
- Keep pets and small children away from The Bio Flame when operating.

Installation in an existing fireplace:

- Place The Bio Flame in the therefore appointed space (make sure this is leveled). Minimum distance necessary from the top of the burner: 50 cm for the big burner and 30 cm for the small burner.

Installation of the log set/pebbles

- The Bio Flame has developed a special ceramic log set and pebbles for decoration purposes of The Bio Flame. Place these around the fire opening (the white ceramic brick) of the burner. The fire opening should be remained free. When the decoration material is placed in the flames, unnecessary soot will be formed. Do not touch decoration material until this has cooled down for at least 30 minutes.
- Never use any other decoration material for The Bio Flame besides The Bio Flame ceramic log set or pebbles.

Filling The Bio Flame with The Bio Flame bio ethanol

- Use The Bio Flame bio ethanol ONLY to fill The Bio Flame
- It is of great importance that the liquid never runs outside the filling opening. Make sure to fill The Bio Flame carefully and slowly, so it can not be overfilled.

How to fill The Bio Flame

- Place the enclosed funnel in the filling-open.
- Carefully pour The Bio Flame ethanol in the funnel. Keep on filling the burner until the liquid remains visible in the

opening.

- Warning: Make sure that the liquid does not flow outside the filling-opening, make sure this is dried p before lighting the fire. There should never be fire outside the fire-opening. This is dangerous and can also cause the insert to de-shape and damage the paint on the insert.
- Fill no more than 2/3 of the way to prevent overflow.
- When The Bio Flame is filled, remove the funnel.
- The Bio Flame is ready to be used.



Important!!!

If you do not burn the Methylated Spirits until empty then you must not add more Methylated Spirits to the burner OR re-ignite the burner until it has cooled to room temperature. When there is no more fuel, the fire will go out with nothing to clear or clean ready to be re-started when cooled.