

Grate Kit Collection

24" Grate Kit



Included Accessories



Lighting Rod



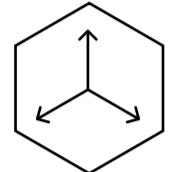
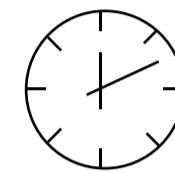
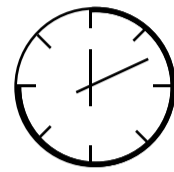
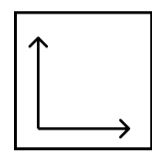
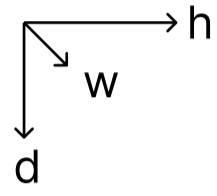
Lighter



Funnel

Grate Kit Collection

24" Grate Kit



Dimensions H x W x D mm/in	Fuel Capacity	Heats on Average (indoors)	Fuel Consumption	Thermal Output Net (MAX)	Approx. Burn Time	Minimum Room Size (per burner)
160 × 755 × 400 6.3 × 29.7 × 15.7	7.0L	Over 79m ² [850 ft ²]	0.64L per hour	21,500 BTU/h 6.3 Kw	11 hours	150 sq. ft.

Awards

2010 Winner Outdoor Hearth Products Vesta Awards

Application

Indoor & Outdoor

Materials

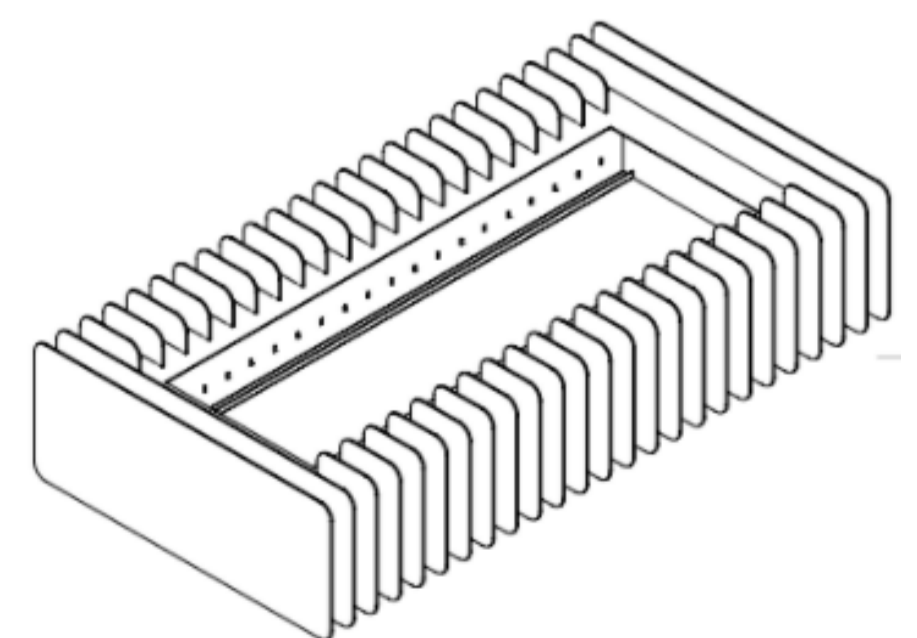
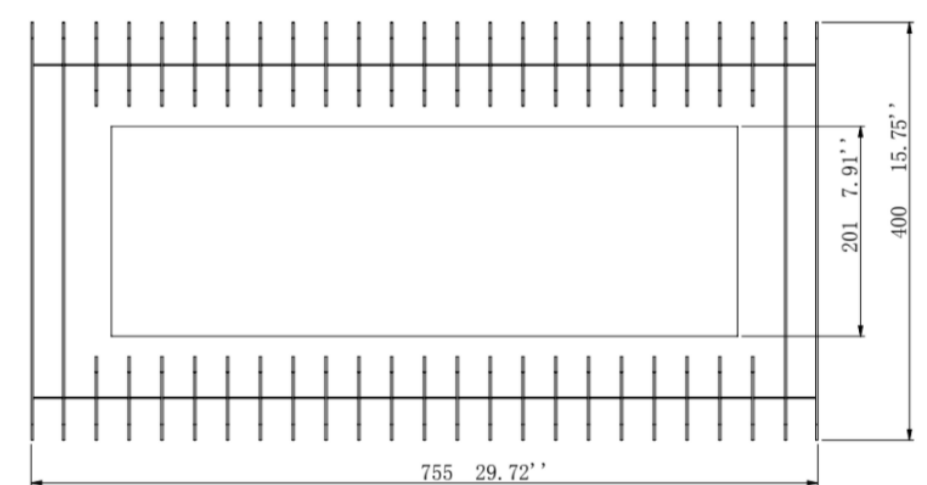
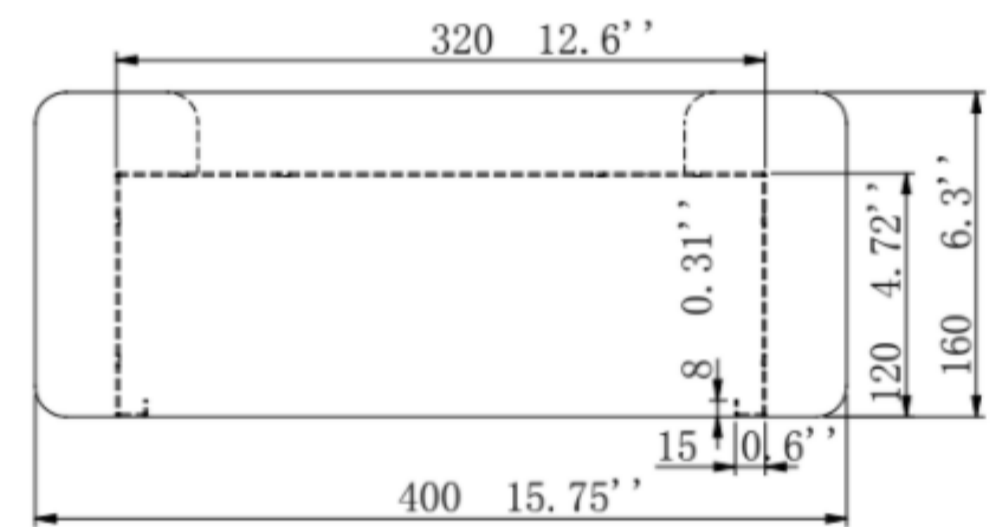
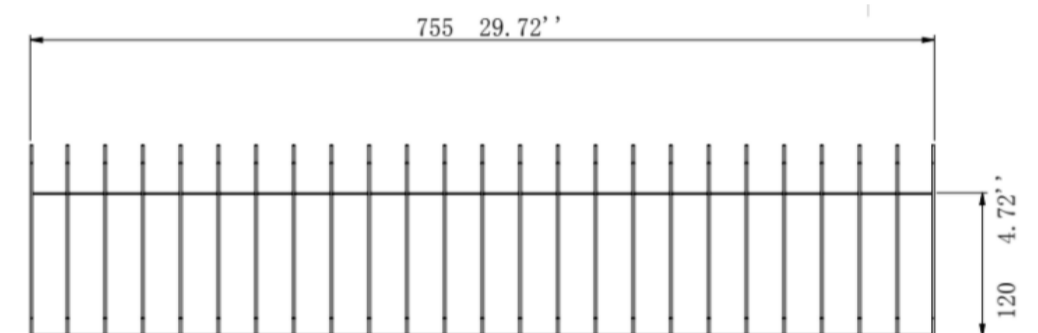
304 Stainless Steel Construction

Approx. Weight

26 lbs

Fuel Type

Bio Ethanol Fuel



Global Compliance
All burners are UL Listed in accordance with ANSI/UL1370 in the USA and comply with the ACCC Safety Mandate for Australia.



Lifetime Warranty

FOR MORE INFORMATION PLEASE REFERENCE THE CLEARANCE & INSTALLATION MANUAL

*Dimensions may vary by 2% (plus or minus) due to material attributes. Template not provided. The Bio Flame recommends using the actual fireplace or burner model when making final cut out

