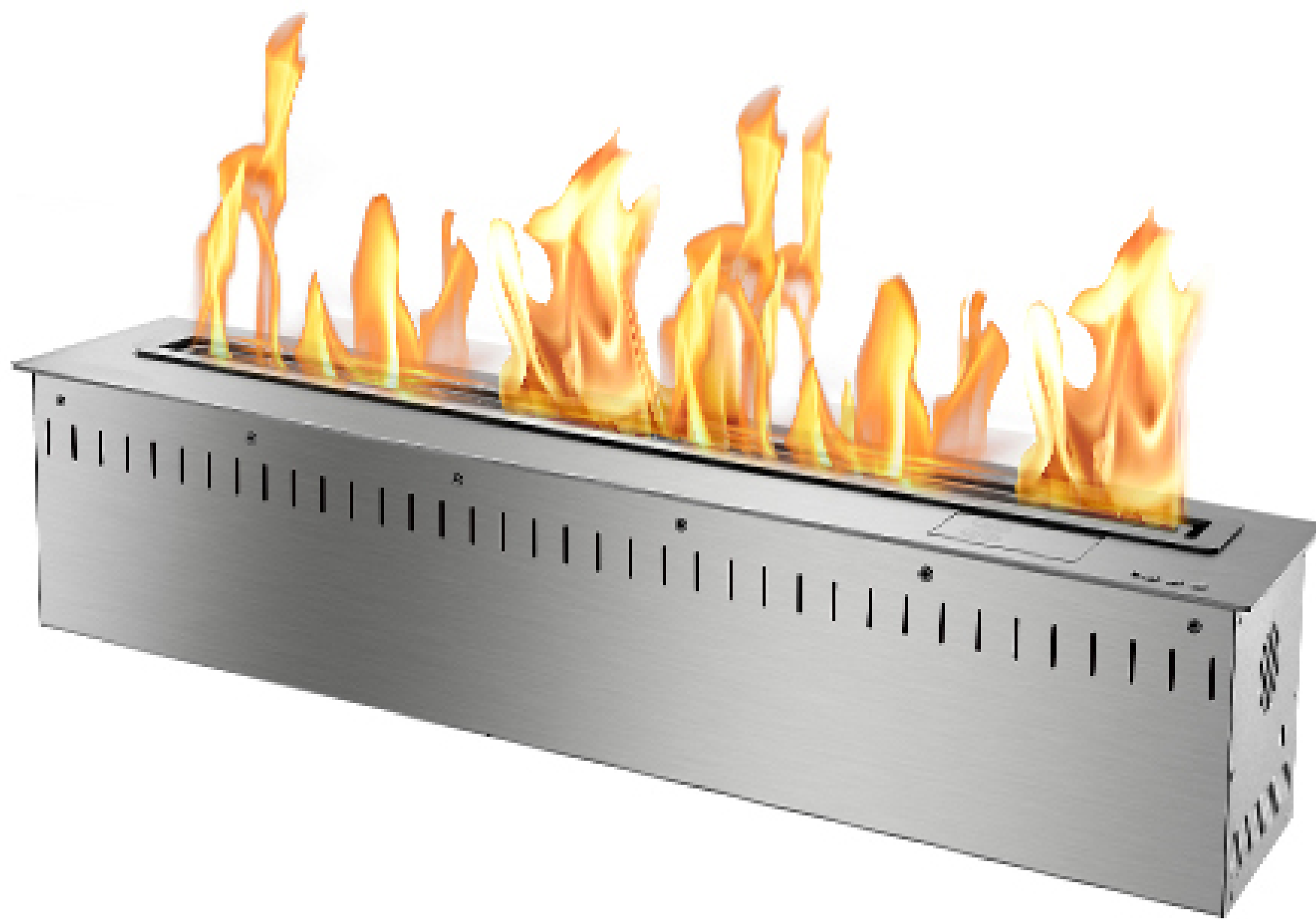


Smart Burner Collection

30" RC Smart Burner



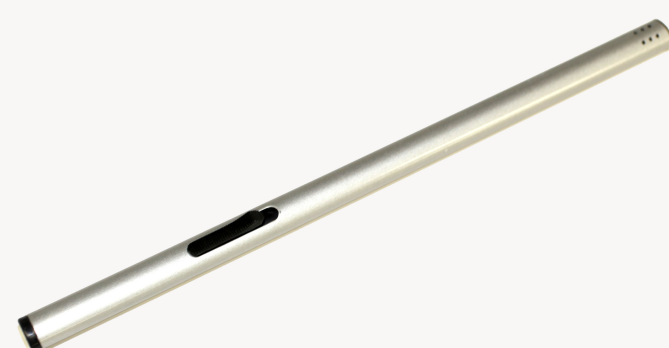
Black



Included Accessories



Lighting Rod



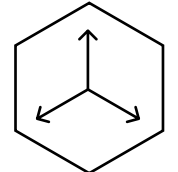
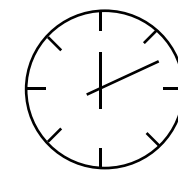
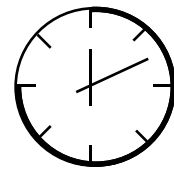
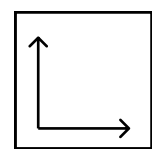
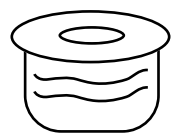
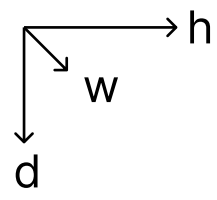
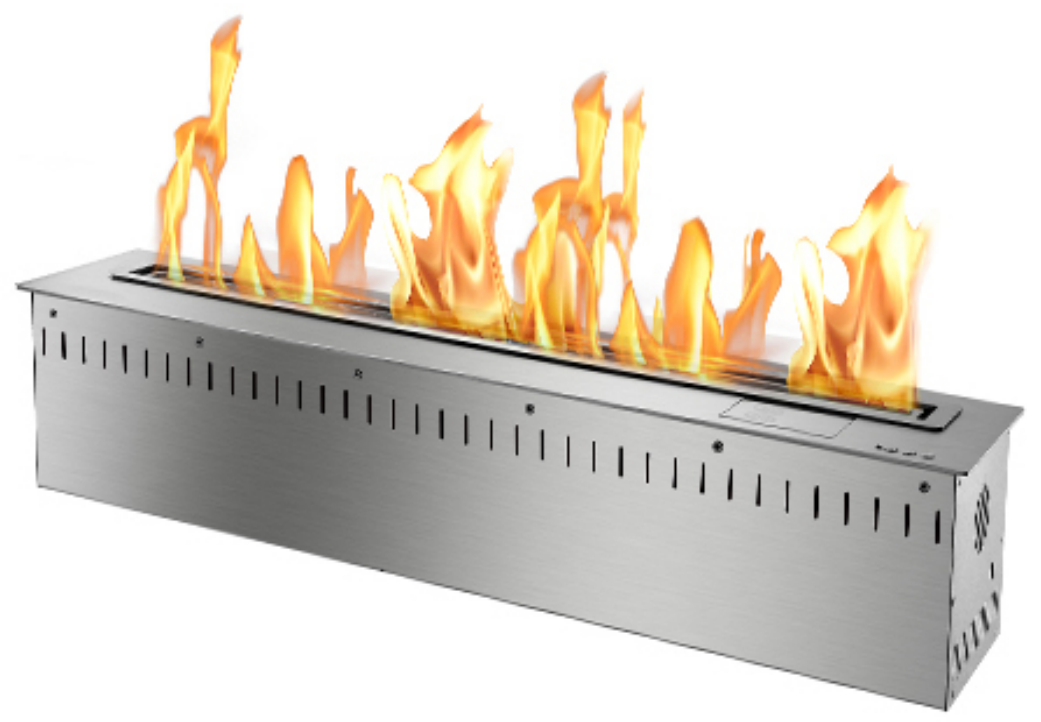
Lighter



Funnel

Smart Burner Collection

30" RC Smart Burner



| Dimensions H x W x D mm/in | Fuel Capacity | Heats on Average (indoors) | Fuel Consumption | Thermal Output Net (MAX) | Approx. Burn Time | Minimum Room Size (per burner) |
|-----------------------------------|------------------|---|---------------------|---|----------------------|-----------------------------------|
| 168 x 762 x 193 6.6 x 30 x 7.6 | 5.4L | Over 73m ² [785 ft ²] | 0.64L per hour | 8,840 BTU - 20,600 BTU (6.0 kW.h) | 8.5 hours | 150 sq. ft. |

Awards

2010 Winner Outdoor Hearth Products
Vesta Awards

Application

Indoor & Outdoor

Burner Colour

● Stainless Steel ● Black

Materials

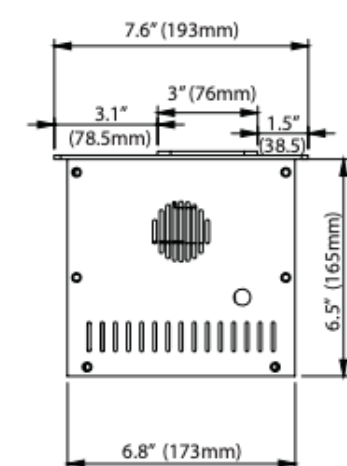
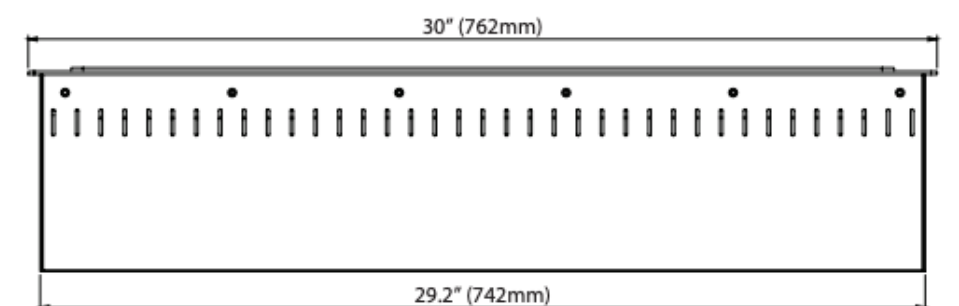
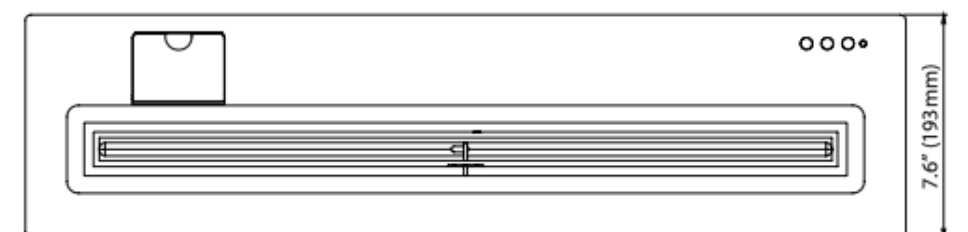
304 Stainless Steel Construction
Insulated Bottom Tray

Remote Info

- 6 Adjustable Heat Settings
- Safety Sensors
- WiFi Control Smartphone App
- Automatic Fuel Refill System

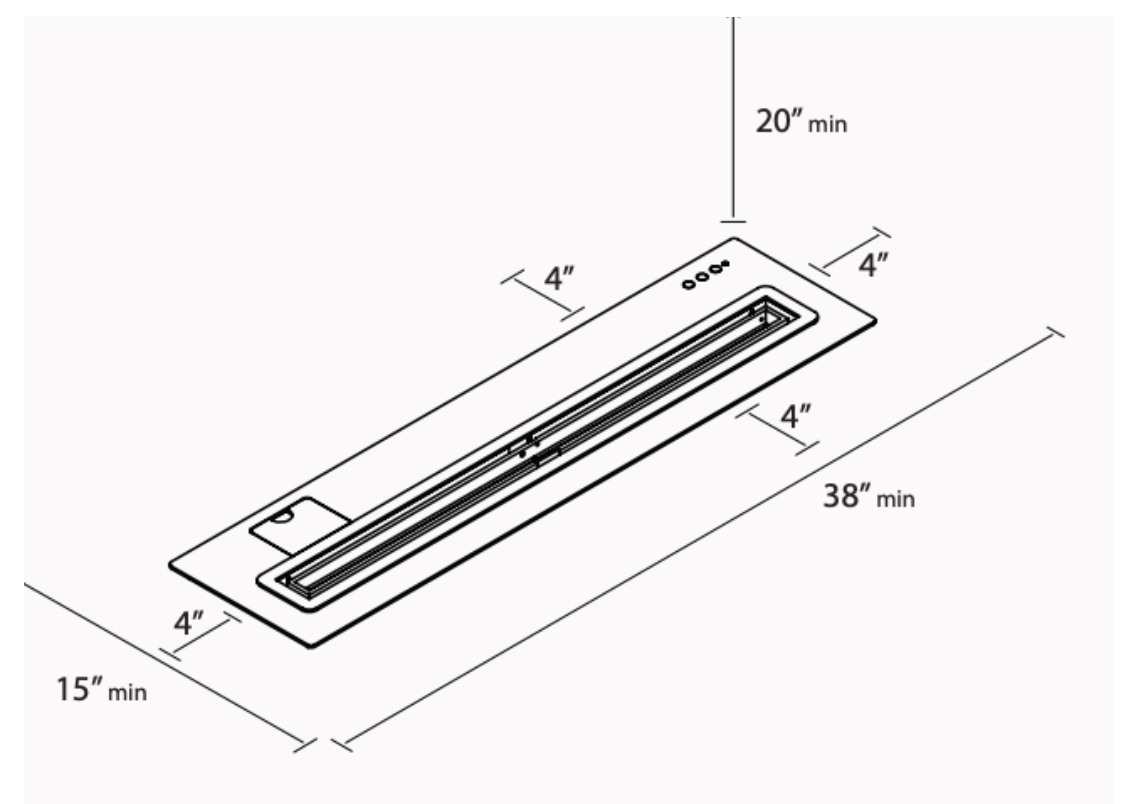
Fuel Type

Bio Ethanol Fuel



Inserting within a firebox setting:

The Bio Flame 30" RC BURNER can only be fitted into a non-combustible firebox that has minimum clearances of 38"W x 20"H x 15"D



Global Compliance
All burners are UL Listed in accordance with ANSI/UL1370 in the USA and comply with the ACCC Safety Mandate for Australia.



Lifetime Warranty

FOR MORE INFORMATION PLEASE REFERENCE THE CLEARANCE & INSTALLATION MANUAL

*Dimensions may vary by 2% (plus or minus) due to material attributes. Template not provided. The Bio Flame recommends using the actual fireplace or burner model when making final cut out

