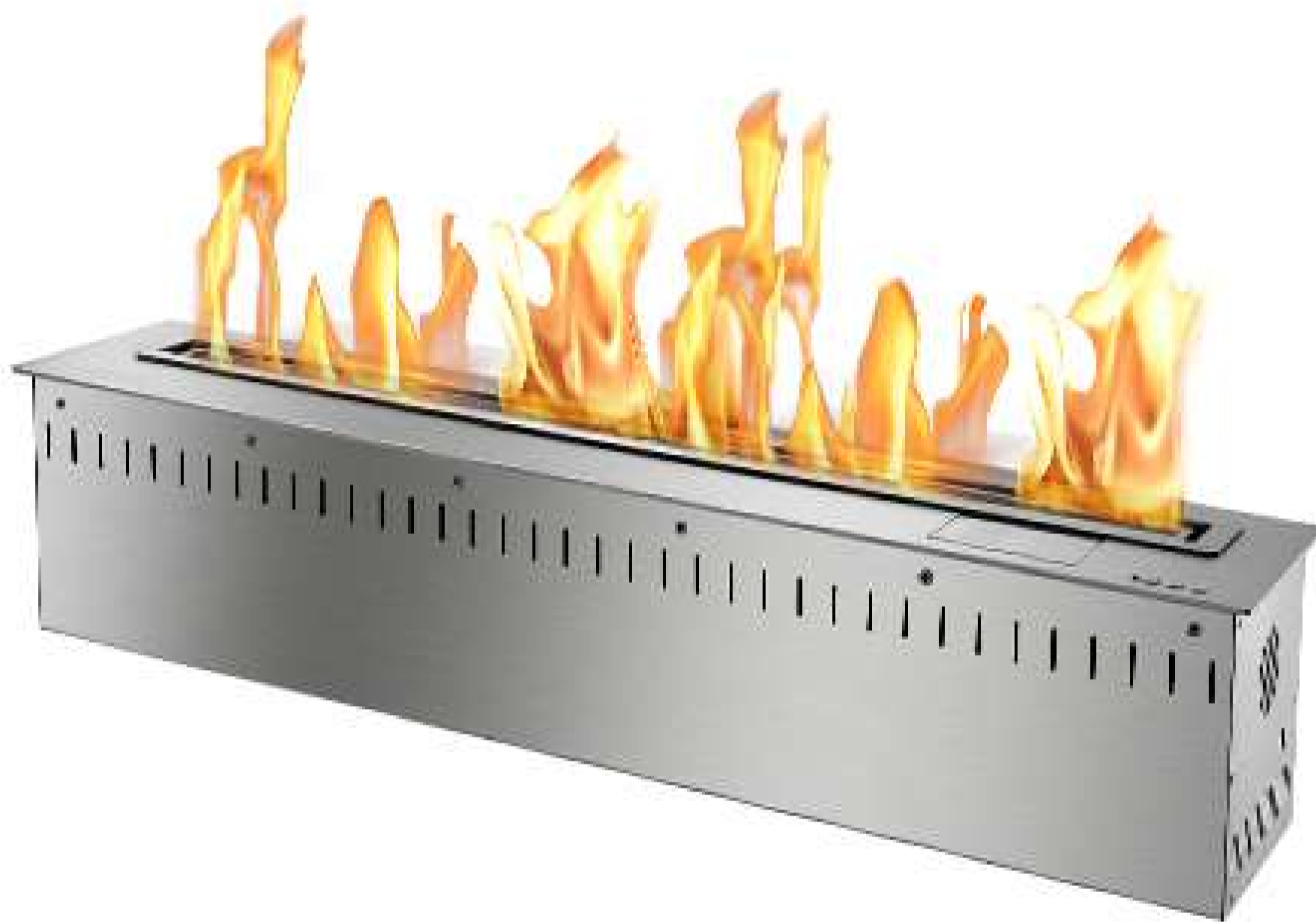


Smart Burner Collection

30" RC Smart Burner



Black



Included Accessories



Lighting Rod



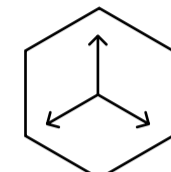
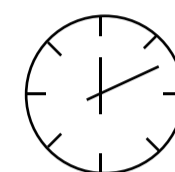
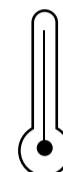
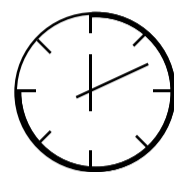
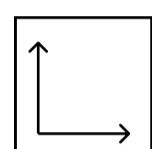
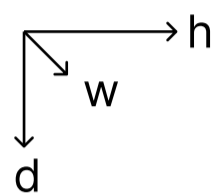
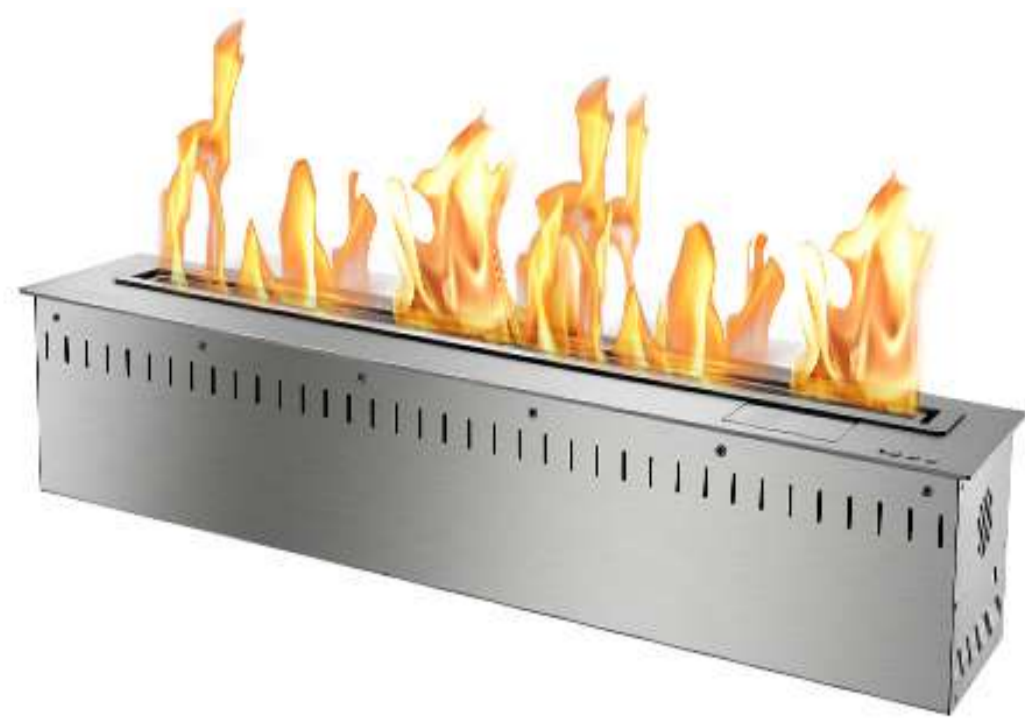
Lighter



Funnel

Smart Burner Collection

30" RC Smart Burner



Dimensions H x W x D mm/in	Fuel Capacity	Heats on Average (indoors)	Fuel Consumption	Thermal Output Net (MAX)	Approx. Burn Time	Minimum Room Size (per burner)
168 × 762 × 193 6.6 × 30 × 7.6	5.4L	Over 73m ² [785 ft ²]	0.64L per hour	8,840 BTU - 20,600 BTU (6.0 kW.h)	8.5 hours	150 sq. ft.

Awards

2010 Winner Outdoor Hearth Products
Vesta Awards

Application

Indoor & Outdoor

Burner Colour

● Stainless Steel ● Black

Materials

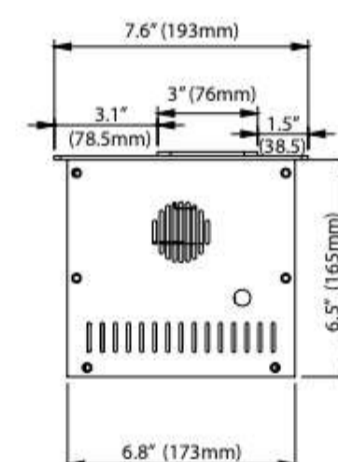
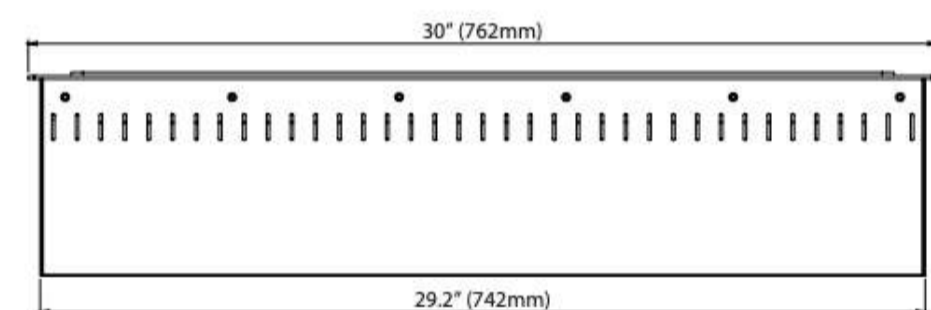
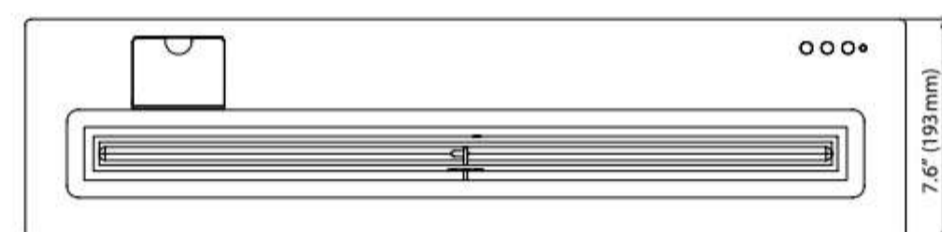
304 Stainless Steel Construction
Insulated Bottom Tray

Remote Info

- 6 Adjustable Heat Settings
- Safety Sensors
- WiFi Control Smartphone App
- Automatic Fuel Refill System

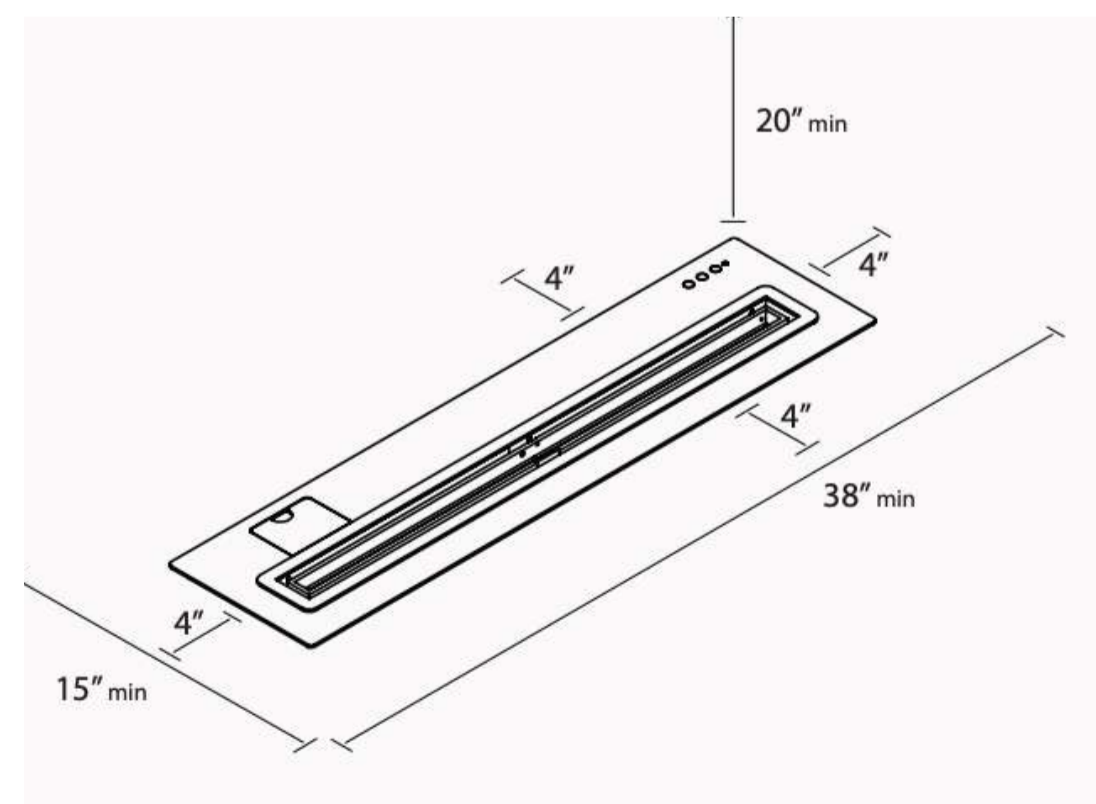
Fuel Type

Bio Ethanol Fuel



Inserting within a firebox setting:

The Bio Flame 30" RC BURNER can only be fitted into a non-combustible firebox that has minimum clearances of 38"W x 20"H x 15"D



Lifetime Warranty

FOR MORE INFORMATION PLEASE REFERENCE THE CLEARANCE & INSTALLATION MANUAL

*Dimensions may vary by 2% (plus or minus) due to material attributes. Template not provided. The Bio Flame recommends using the actual fireplace or burner model when making final cut out

