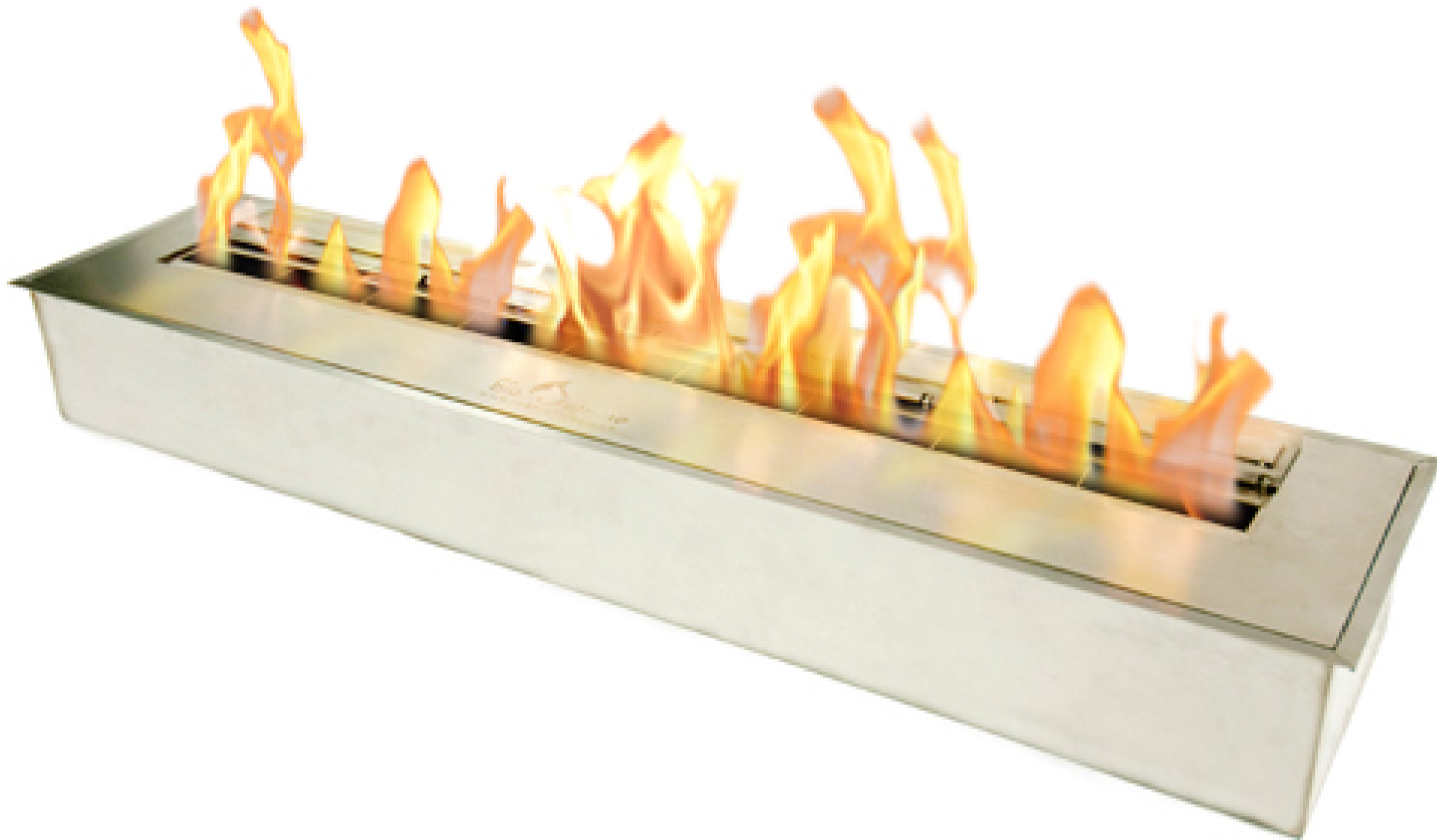


# Burner Collection

## 38" Burner



**Black**



### Included Accessories



**Lighting Rod**

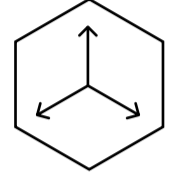
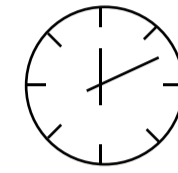
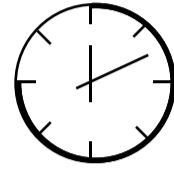
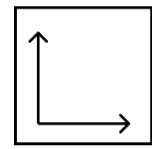
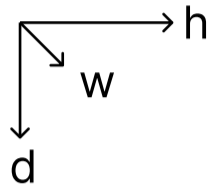


**Lighter**



**Funnel**

# Burner Collection 38" Burner



Dimensions H x W x D mm/in	Fuel Capacity	Heats on Average (indoors)	Fuel Consumption	Thermal Output Net (MAX)	Approx. Burn Time	Minimum Room Size (per burner)
114 × 935.1 × 216 4.5" x 36.67" x 8.5"	11L	Over 93m <sup>2</sup> [1,001 ft <sup>2</sup> ]	1L per hour	27,000 BTU/h 7.9 Kw	11 hours	250 sq. ft.

## Awards

2010 Winner Outdoor Hearth Products  
Vesta Awards

## Application

Indoor & Outdoor

## Burner Colour

● Stainless Steel ● Black

## Materials

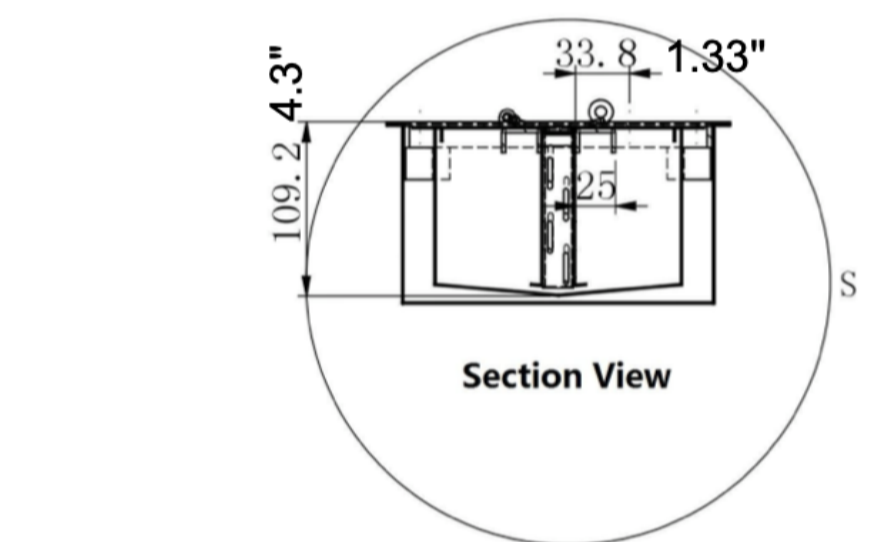
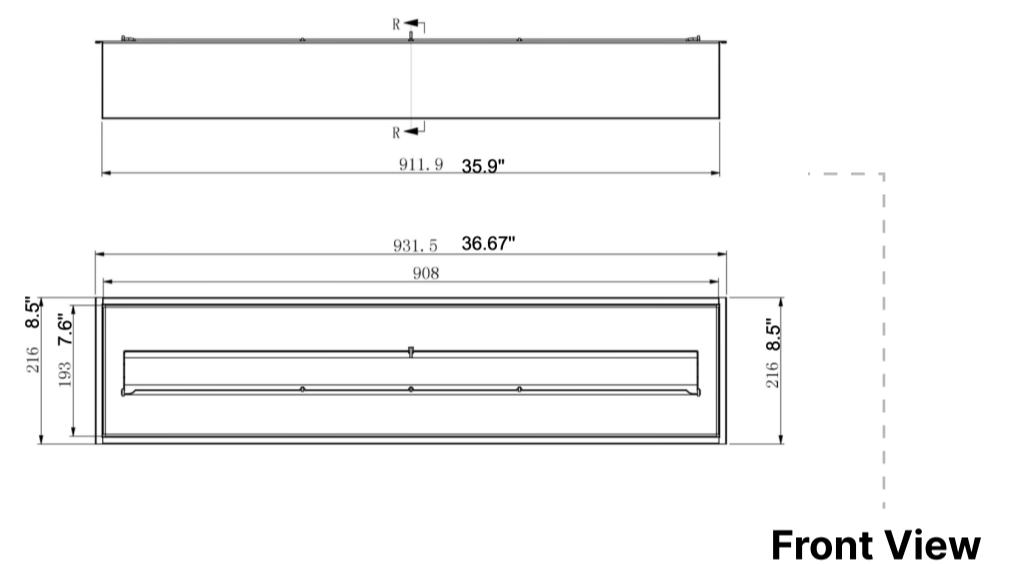
Grade 304 Stainless Steel Construction

## Approx. Weight

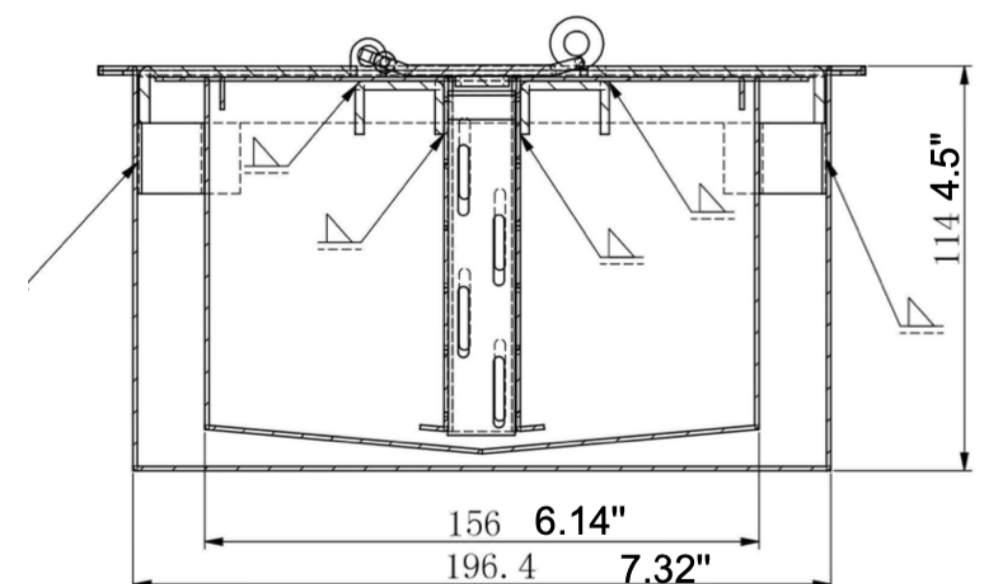
44 lbs

## Fuel Type

Bio Ethanol Fuel



Top View



Side View

### Inserting within a firebox setting:

The Bio Flame 38' BURNER can only be fitted into a non-combustible firebox that has minimum clearances of 46"W x 20"H x 15"D.

### Custom made fireboxes must:

- Be made out of a non-combustible material such as stainless steel
- \*When recessing the tray into a non-combustible base with no firebox, the overhead clearance required is 60"MIN. to the nearest combustible\*



Global Compliance  
All burners are UL Listed in accordance with ANSI/  
UL1370 in the USA and comply with the ACCC Safety  
Mandate for Australia.



Lifetime Warranty

FOR MORE INFORMATION PLEASE REFERENCE THE CLEARANCE & INSTALLATION MANUAL

\*Dimensions may vary by 2% (plus or minus) due to material attributes. Template not provided. The Bio Flame recommends using the actual fireplace or burner model when making final cut out

