

Firebox Collection

38" Firebox SS



Black



Included Accessories



Lighting Rod



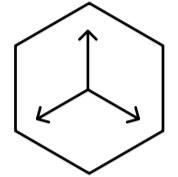
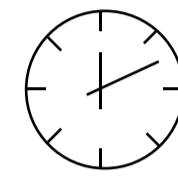
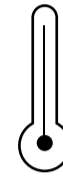
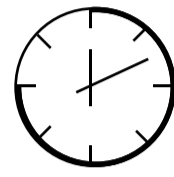
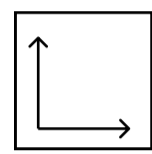
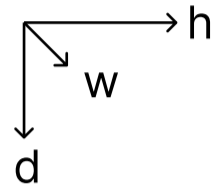
Lighter



Funnel

Firebox Collection

38" Firebox SS



Dimensions H x W x D mm/in	Fuel Capacity	Heats on Average (indoors)	Fuel Consumption	Thermal Output Net (MAX)	Approx. Burn Time	Minimum Room Size (per burner)
572 x 980 x 340 22.5 x 38.6 x 12.75	2.5L	Over 69m ² [742 ft ²]	0.89L per hour	17,000 BTU/h 5.0 Kw	2.8 hours	150 sq. ft.

Awards

2010 Winner Outdoor Hearth Products Vesta Awards

Application

Indoor & Outdoor

Burner Colour

Stainless Steel
 Black

Materials

Brushed Stainless Steel Internal Frame
8mm Tempered Glass

Burner Size

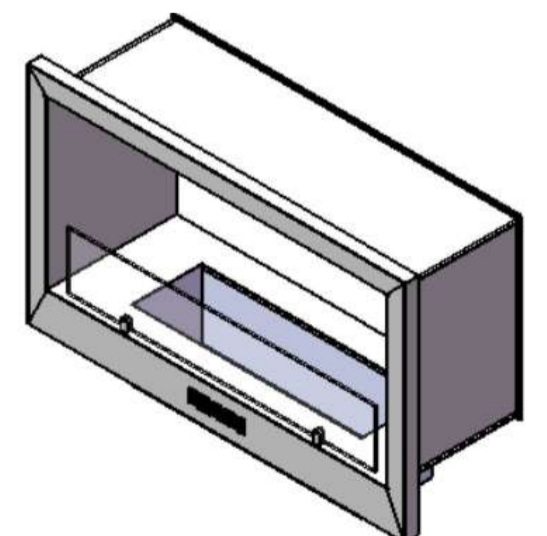
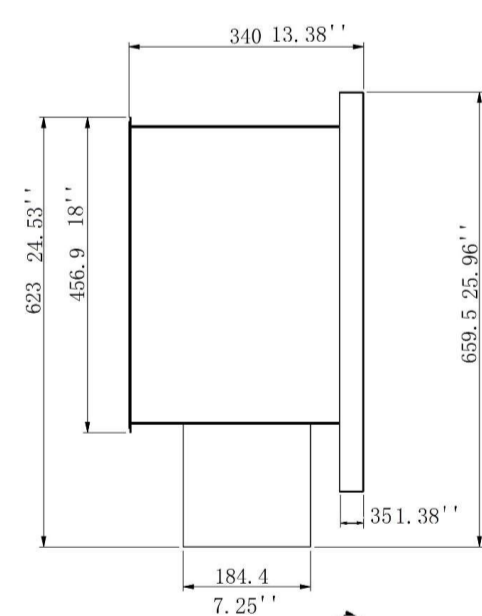
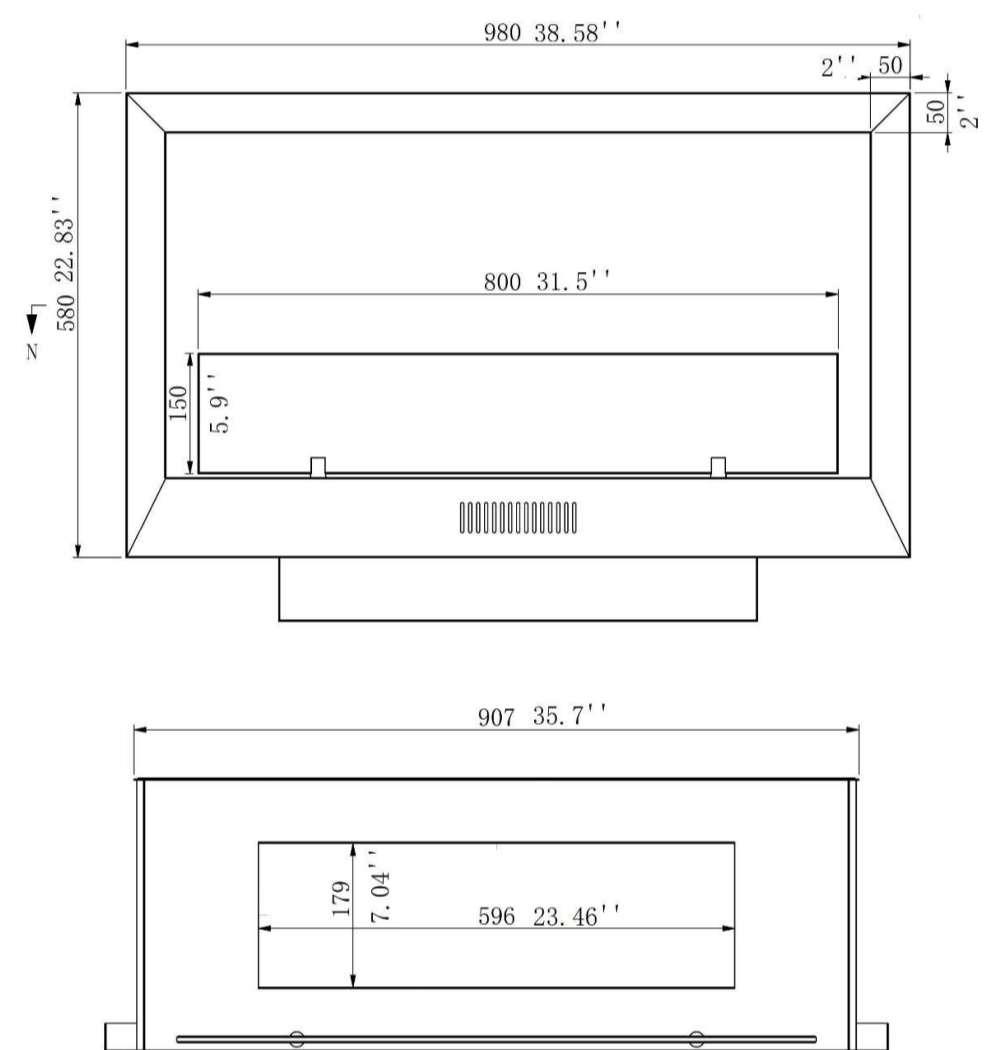
16" Burner

Fuel Type

Bio Ethanol Fuel

Other

- Double Walled Design
- Fully Insulated
- 304 Stainless Steel Firebox Construction



Lifetime Warranty

FOR MORE INFORMATION PLEASE REFERENCE THE CLEARANCE & INSTALLATION MANUAL

*Dimensions may vary by 2% (plus or minus) due to material attributes. Template not provided. The Bio Flame recommends using the actual fireplace or burner model when making final cut out

THE BIOFLAME
EST.2007