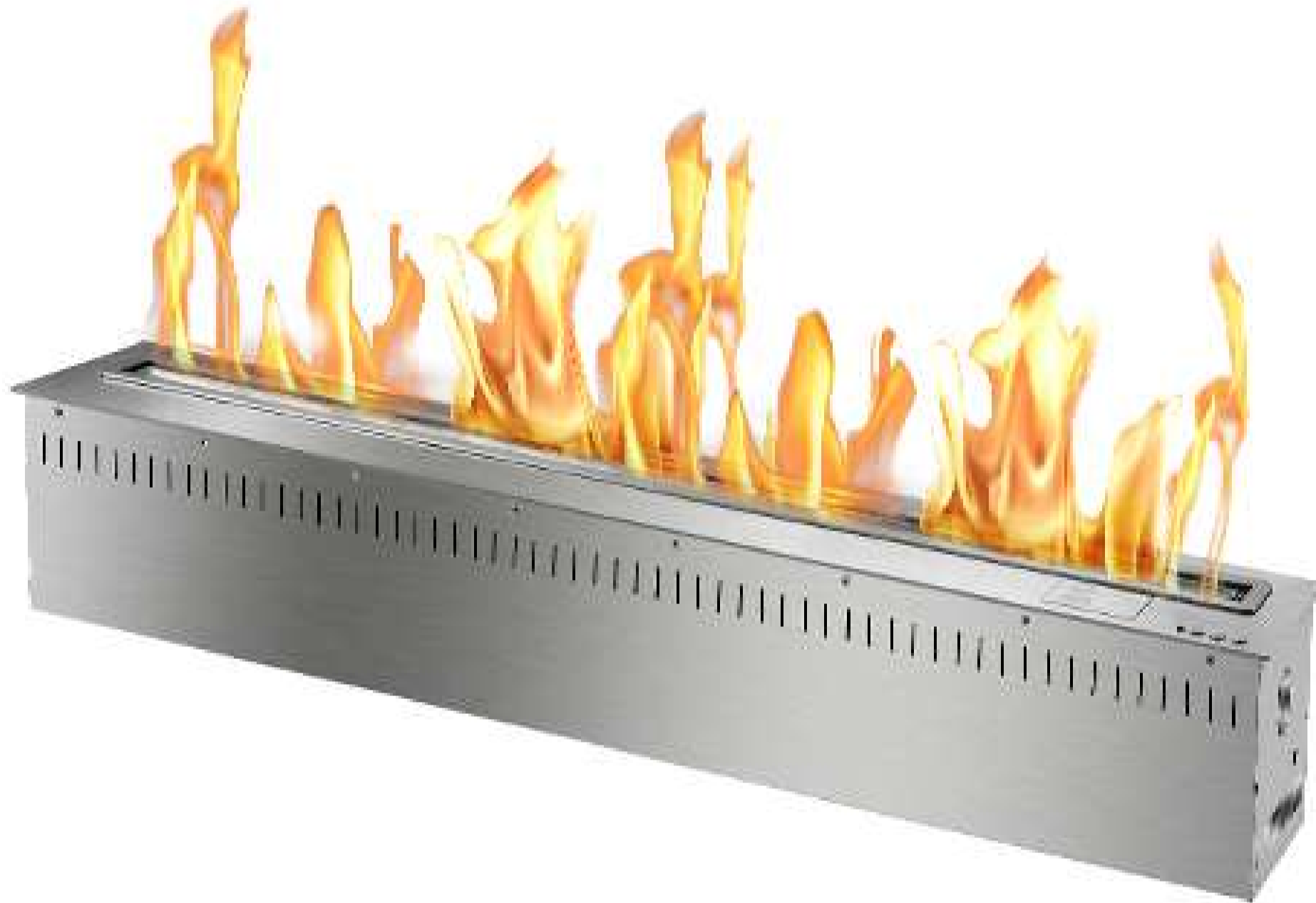


Smart Burner Collection

38" RC Smart Burner



Black



Included Accessories



Lighting Rod



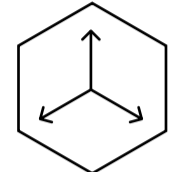
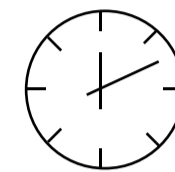
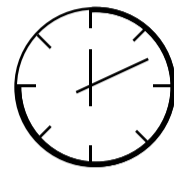
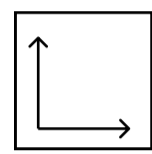
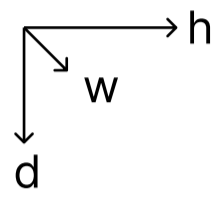
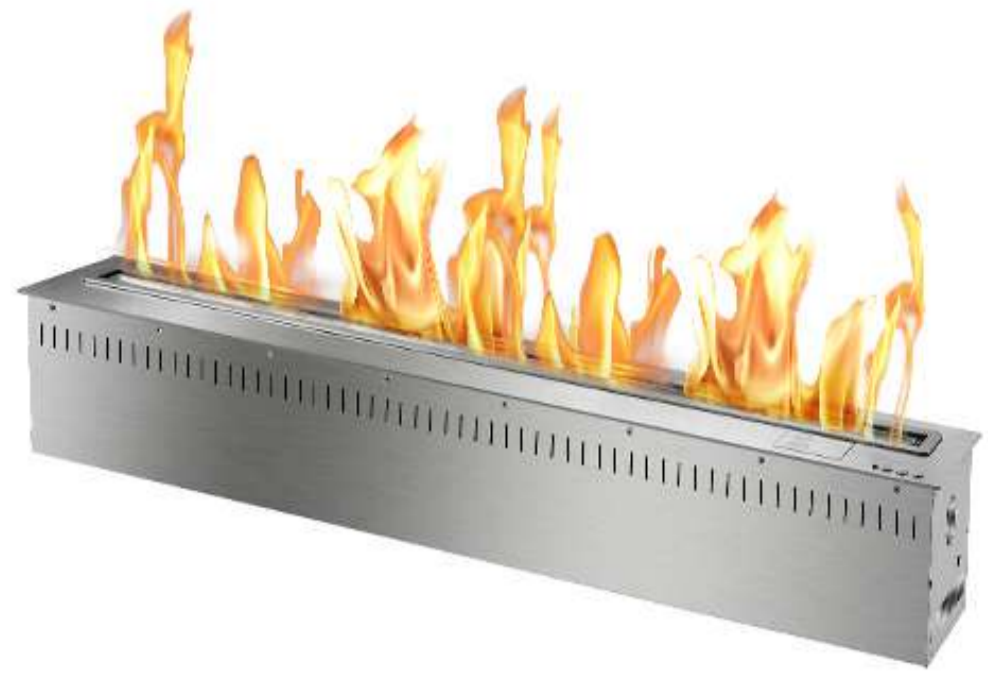
Lighter



Funnel

Smart Burner Collection

38" RC Smart Burner



| Dimensions H x W x D mm/in | Fuel Capacity | Heats on Average (indoors) | Fuel Consumption | Thermal Output Net (MAX) | Approx. Burn Time | Minimum Room Size (per burner) |
|-------------------------------------|------------------|-------------------------------------------------|---------------------|------------------------------------------|----------------------|-----------------------------------|
| 168 × 908 × 193 6.6 × 35.7 × 7.6 | 7.2L | Over 90m ² [970 ft ²] | 0.65L per hour | 11,220 BTU - 29,200 BTU (8.6 kW.h) | 11 hours | 250 sq. ft. |

Awards

2010 Winner Outdoor Hearth Products
Vesta Awards

Application

Indoor & Outdoor

Burner Colour

● Stainless Steel ● Black

Materials

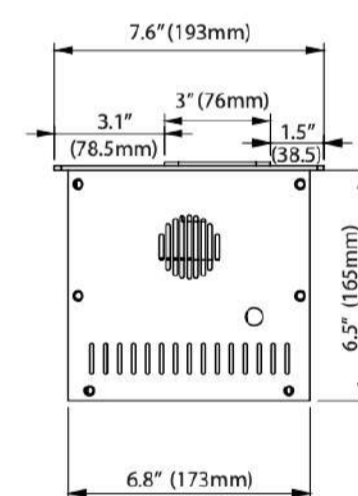
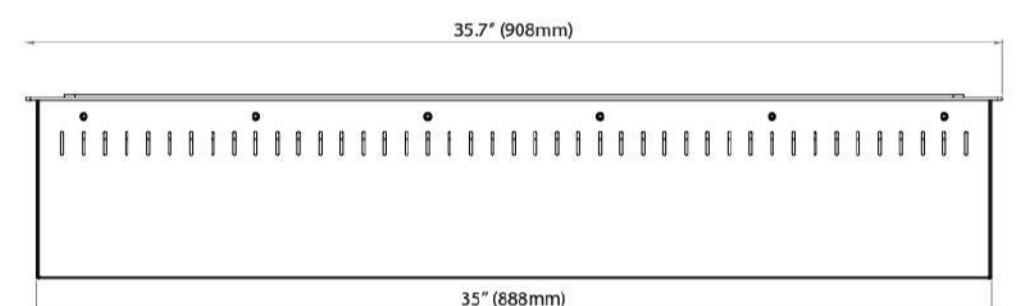
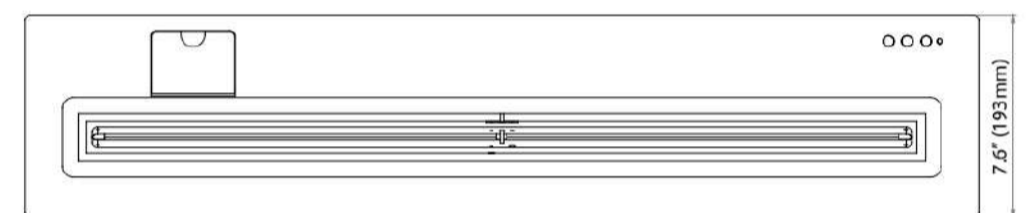
304 Stainless Steel Construction
Insulated Bottom Tray

Remote Info

- 6 Adjustable Heat Settings
- Safety Sensors
- WiFi Control Smartphone App
- Automatic Fuel Refill System

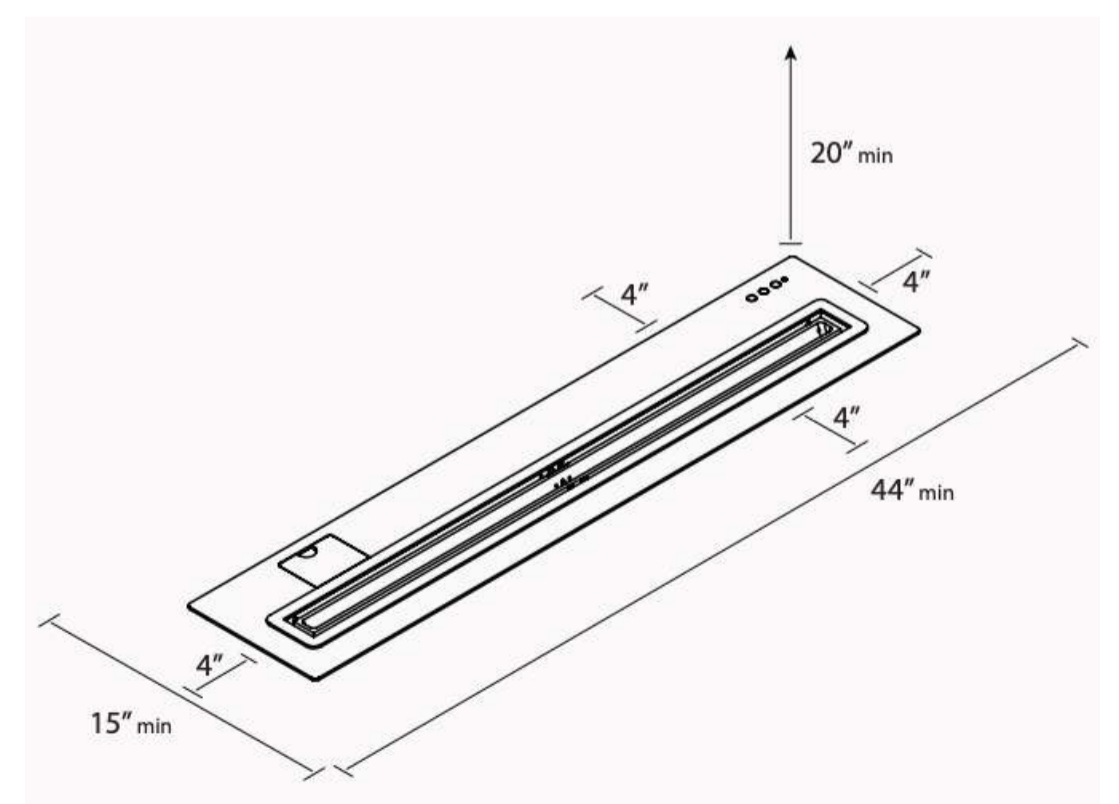
Fuel Type

Bio Ethanol Fuel



Inserting within a firebox setting:

The Bio Flame 38" RC BURNER can only be fitted into a non-combustible firebox that has minimum clearances of 44"W x 20"H x 15"D



Lifetime Warranty

FOR MORE INFORMATION PLEASE REFERENCE THE CLEARANCE & INSTALLATION MANUAL

*Dimensions may vary by 2% (plus or minus) due to material attributes. Template not provided. The Bio Flame recommends using the actual fireplace or burner model when making final cut out

