

Burner Collection

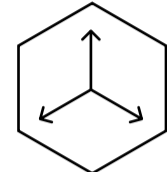
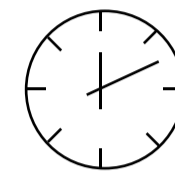
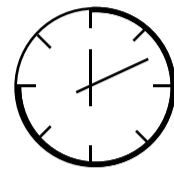
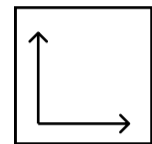
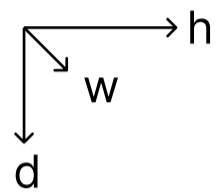
5L Burner



Included Accessories



Burner Collection 5L Burner



Dimensions H x W x D mm/in	Fuel Capacity	Heats on Average (indoors)	Fuel Consumption	Thermal Output Net (MAX)	Approx. Burn Time	Minimum Room Size (per burner)
102 × 285 × 285 4.0 × 11.25 × 11.25	5.0L	Over 58m ² [624 ft ²]	0.7L per hour	15,500 BTU/h 4.5 Kw	7.18 hours	150 sq. ft.

Awards

2010 Winner Outdoor Hearth Products
Vesta Awards

Application

Indoor & Outdoor

Burner Colour

 Stainless Steel

Materials

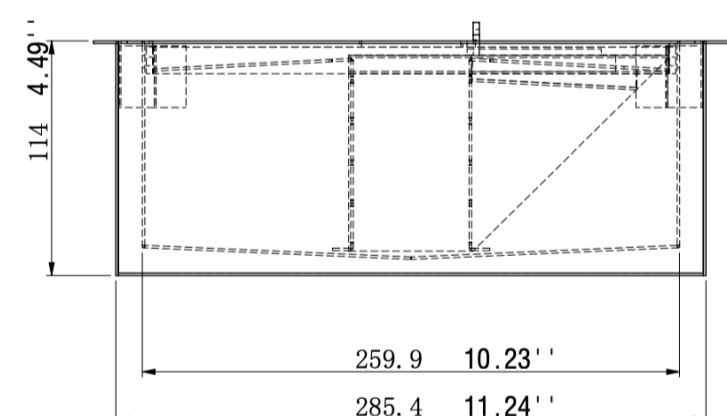
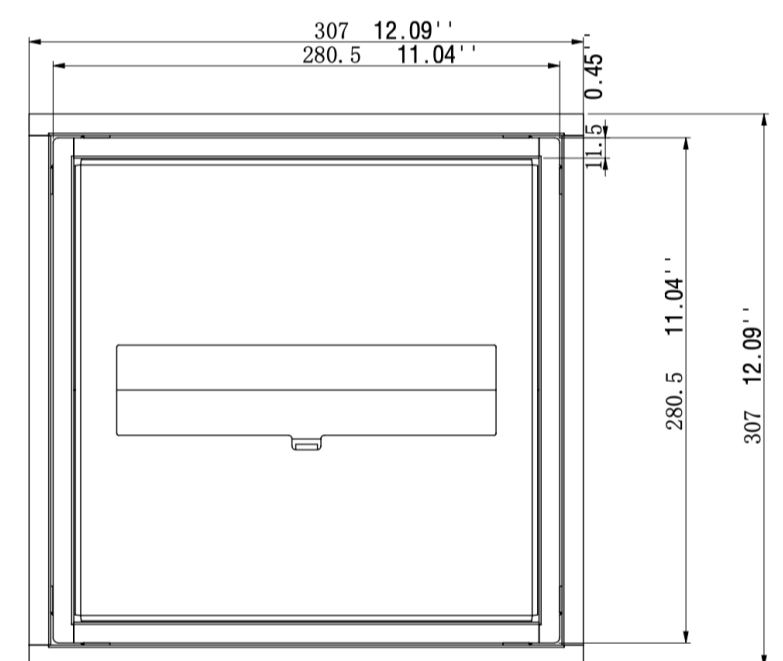
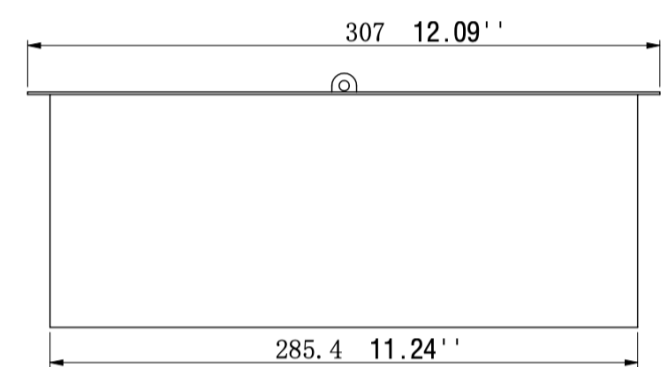
Grade 304 Stainless Steel Construction

Approx. Weight

7 lbs

Fuel Type

Bio Ethanol Fuel

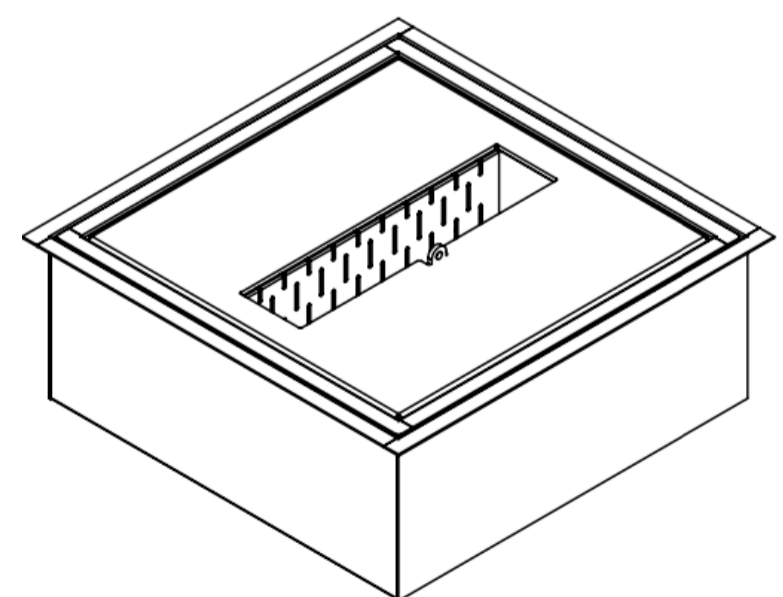


Inserting within a firebox setting:

The Bio Flame 5L BURNER can only be fitted into a non-combustible firebox that has minimum clearances of Left 4.0" (102mm) Right 4.0" (102mm) Rear 4.0" (102mm) Top 24" (610).

Custom made fireboxes must:

- Be made out of a non-combustible material such as stainless steel
- *When recessing the tray into a non-combustible base with no firebox, the overhead clearance required is 60"MIN. to the nearest combustible*



Global Compliance
All burners are UL Listed in accordance with ANSI/
UL1370 in the USA and comply with the ACCC Safety
Mandate for Australia.



Lifetime Warranty

FOR MORE INFORMATION PLEASE REFERENCE THE CLEARANCE & INSTALLATION MANUAL

*Dimensions may vary by 2% (plus or minus) due to material attributes. Template not provided. The Bio Flame recommends using the actual fireplace or burner model when making final cut out

