

# Burner Collection

## 72" Burner



**Black**



### Included Accessories



**Lighting Rod**

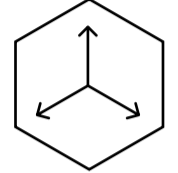
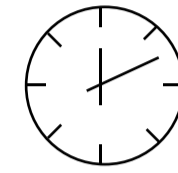
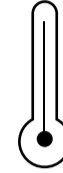
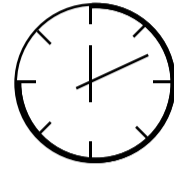
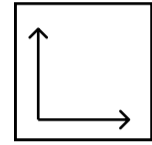
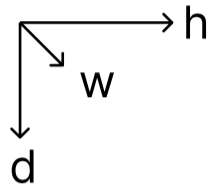


**Lighter**



**Funnel**

# Burner Collection 72" Burner



Dimensions H x W x D mm/in	Fuel Capacity	Heats on Average (indoors)	Fuel Consumption	Thermal Output Net (MAX)	Approx. Burn Time	Minimum Room Size (per burner)
115 × 1829 × 193 4.5 × 72.0 × 7.6	21.5L	Over 169m <sup>2</sup> [1,819 ft <sup>2</sup> ]	2.15L per hour	47,400BTU/h 13.9 Kw	10 hours	400 sq. ft.

## Awards

2010 Winner Outdoor Hearth Products  
Vesta Awards

## Application

Indoor & Outdoor

## Burner Colour

Stainless Steel
  Black

## Materials

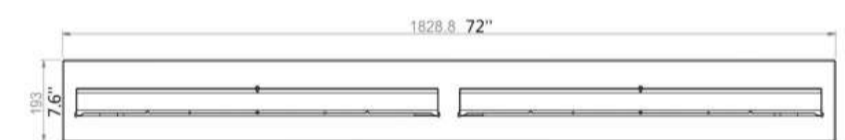
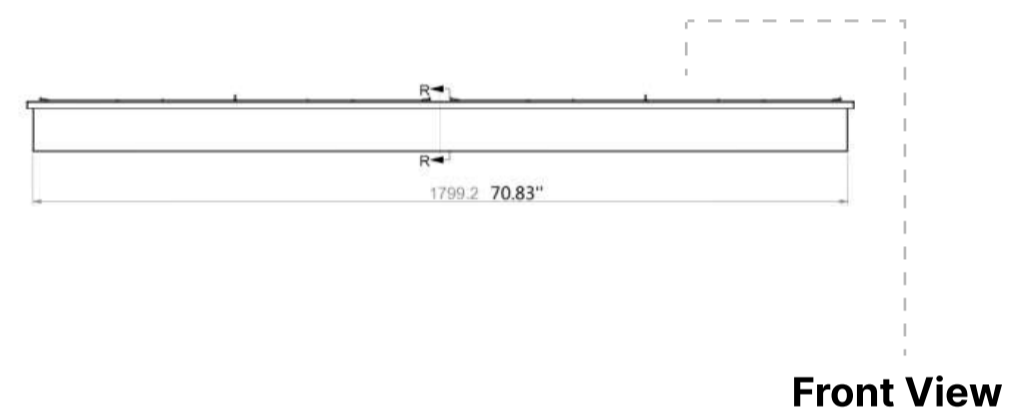
Grade 304 Stainless Steel Construction

## Approx. Weight

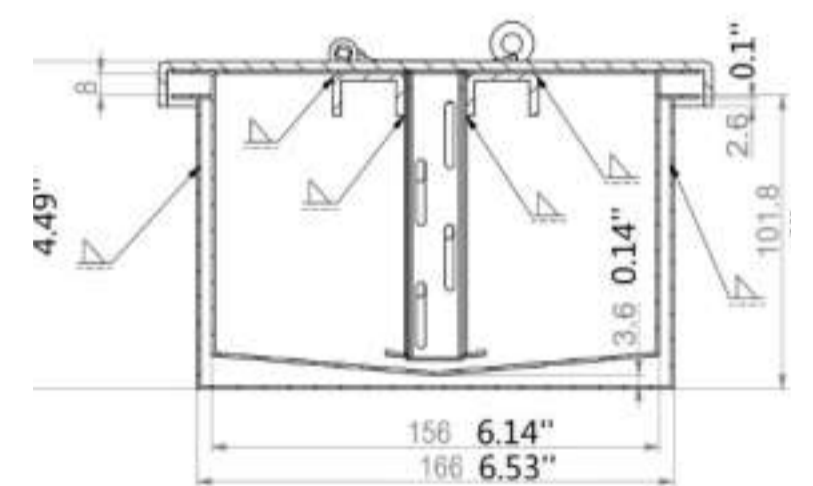
66 lbs

## Fuel Type

Bio Ethanol Fuel



Top View



Side View

### Inserting within a firebox setting:

The Bio Flame 72" BURNER can only be fitted into a non-combustible firebox that has minimum clearances of 80"W x 20"H x 15"D.

### Custom made fireboxes must:

- Be made out of a non-combustible material such as stainless steel
- \*When recessing the tray into a non-combustible base with no firebox, the overhead clearance required is 60"MIN. to the nearest combustible\*



Lifetime Warranty

FOR MORE INFORMATION PLEASE REFERENCE THE CLEARANCE & INSTALLATION MANUAL

\*Dimensions may vary by 2% (plus or minus) due to material attributes. Template not provided. The Bio Flame recommends using the actual fireplace or burner model when making final cut out

