

# Smart Burner Collection

## 72" RC Smart Burner



**Black**

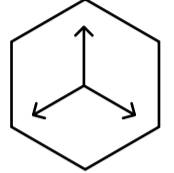
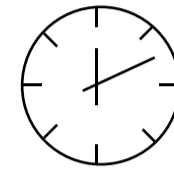
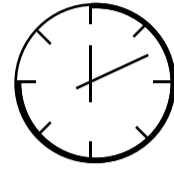
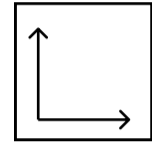
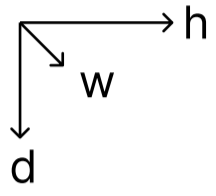


### Included Accessories



# Smart Burner Collection

## 72" RC Smart Burner



Dimensions H x W x D mm/in	Fuel Capacity	Heats on Average (indoors)	Fuel Consumption	Thermal Output Net (MAX)	Approx. Burn Time	Minimum Room Size (per burner)
1828.8 x 168 x 193 72" x 6.6" x 7.6"	16.5L	130-150m <sup>2</sup>	0.4-1.3L per hour	18,100 BTU - 54,300 BTU 5.3 kW.h - 15.9 kW.h	6-18 hours	307 m <sup>3</sup>

### Awards

2010 Winner Outdoor Hearth Products Vesta Awards

### Application

Indoor & Outdoor

### Burner Colour

● Stainless Steel ● Black

### Materials

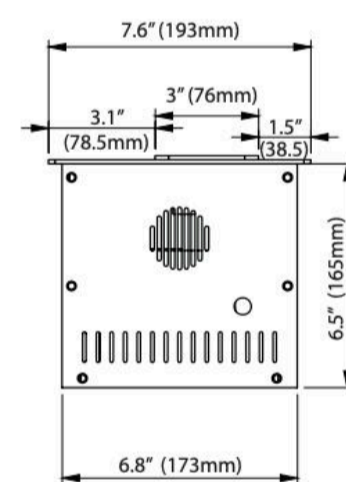
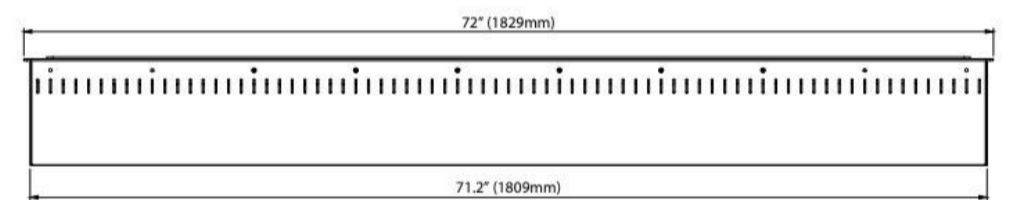
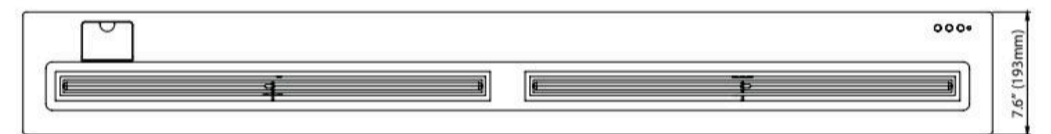
304 Stainless Steel Construction  
Insulated Bottom Tray

### Remote Info

- 6 Adjustable Heat Settings
- Safety Sensors
- WiFi Control Smartphone App
- Automatic Fuel Refill System

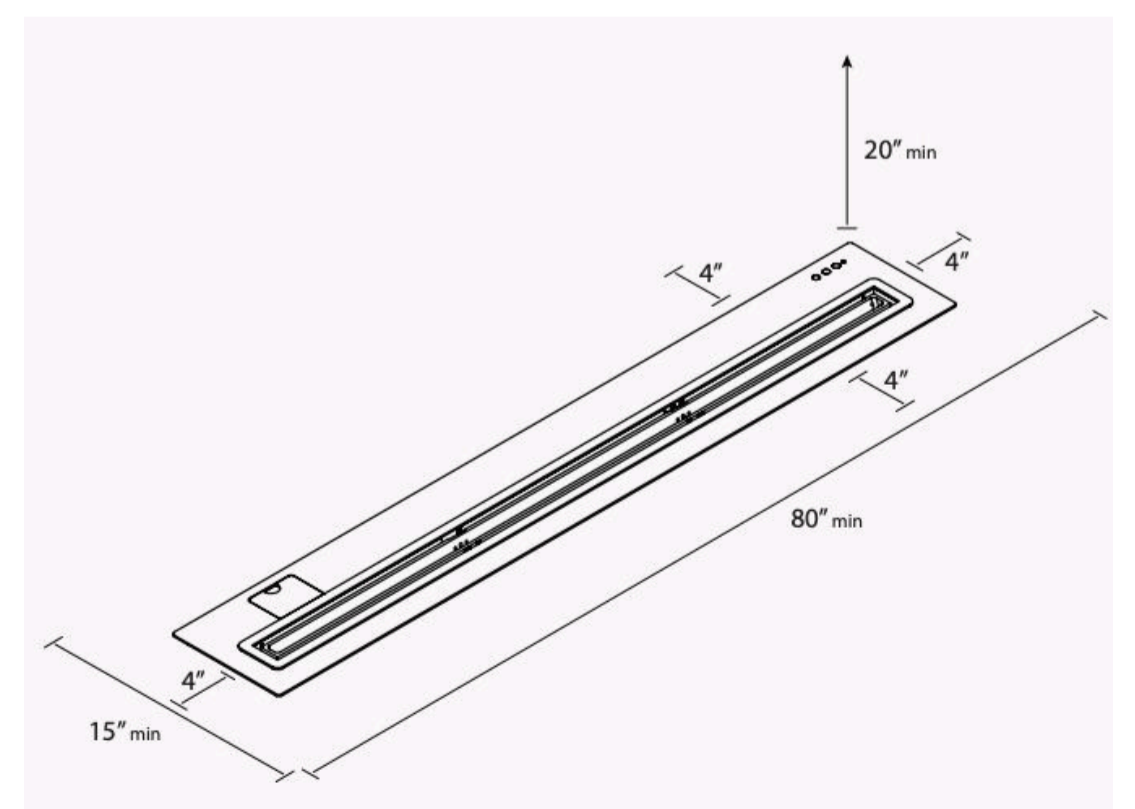
### Fuel Type

Bio Ethanol Fuel



#### Inserting within a firebox setting:

The Bio Flame 72" RC BURNER can only be fitted into a non-combustible firebox that has minimum clearances of 80"W x 20"H x 15"D



Lifetime Warranty

FOR MORE INFORMATION PLEASE REFERENCE THE CLEARANCE & INSTALLATION MANUAL

\*Dimensions may vary by 2% (plus or minus) due to material attributes. Template not provided. The Bio Flame recommends using the actual fireplace or burner model when making final cut out

