

# SmartFlame

## 84" RC Smart Burner



**Black**



### Included Accessories



**Lighting Rod**



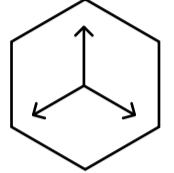
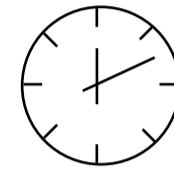
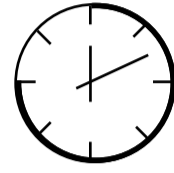
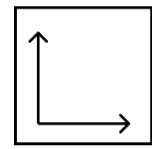
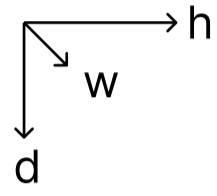
**Lighter**



**Funnel**

# SmartFlame

## 84" RC Smart Burner



Dimensions H x W x D mm/in	Fuel Capacity	Heats on Average (indoors)	Fuel Consumption	Thermal Output Net (MAX)	Approx. Burn Time	Minimum Room Size (per burner)
168x2133.6x193 6.6"x 84"x7.6"	19.5L	178-180m <sup>2</sup>	1.05-1.4 H/L	31500 BTU-9.28 Kw/h	11.9-15.9 H	90m <sup>2</sup>

### Awards

2010 Winner Outdoor Hearth Products  
Vesta Awards

### Application

Indoor & Outdoor

### Burner Colour

● Stainless Steel ● Black

### Materials

304 Stainless Steel Construction  
Insulated Bottom Tray

### Remote Info

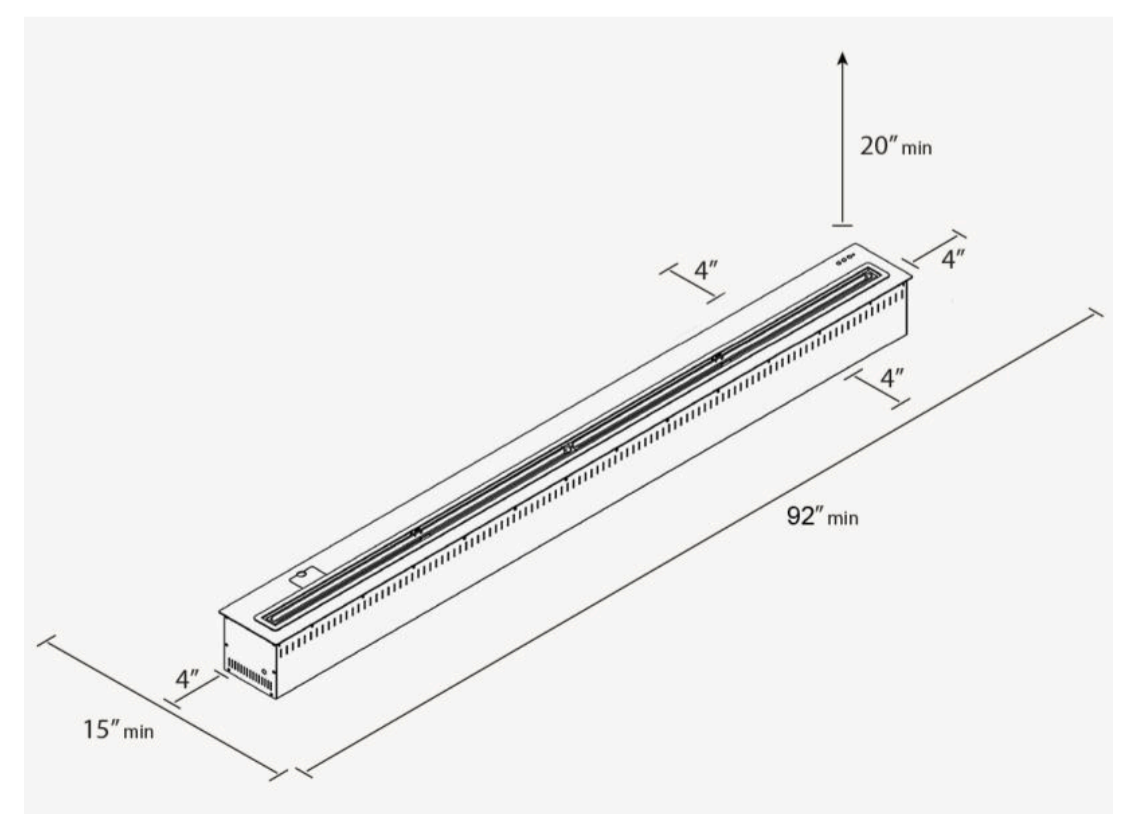
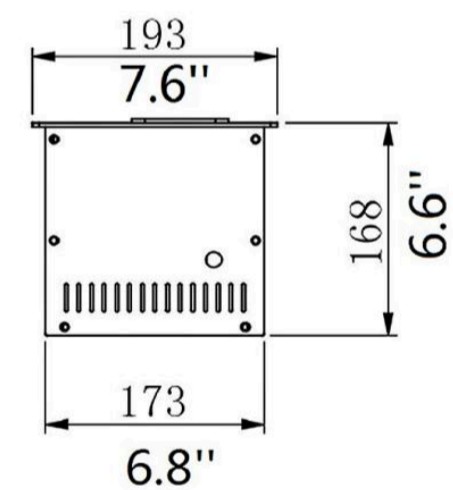
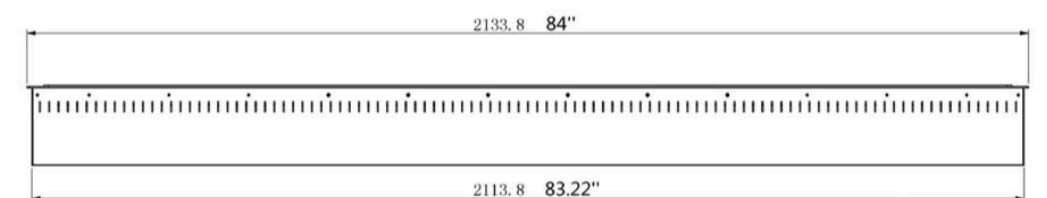
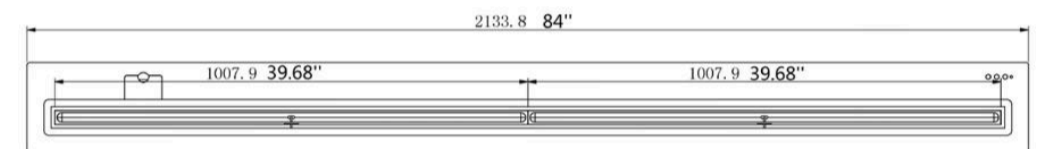
- 6 Adjustable Heat Settings
- Safety Sensors
- WiFi Control Smartphone App
- Automatic Fuel Refill System

### Fuel Type

Bio Ethanol Fuel

#### Inserting within a firebox setting:

The Bio Flame 84" RC BURNER can only be fitted into a non-combustible firebox that has minimum clearances of 92"W x 20"H x 15"D



Lifetime Warranty

FOR MORE INFORMATION PLEASE REFERENCE THE CLEARANCE & INSTALLATION MANUAL

\*Dimensions may vary by 2% (plus or minus) due to material attributes. Template not provided. The Bio Flame recommends using the actual fireplace or burner model when making final cut out

