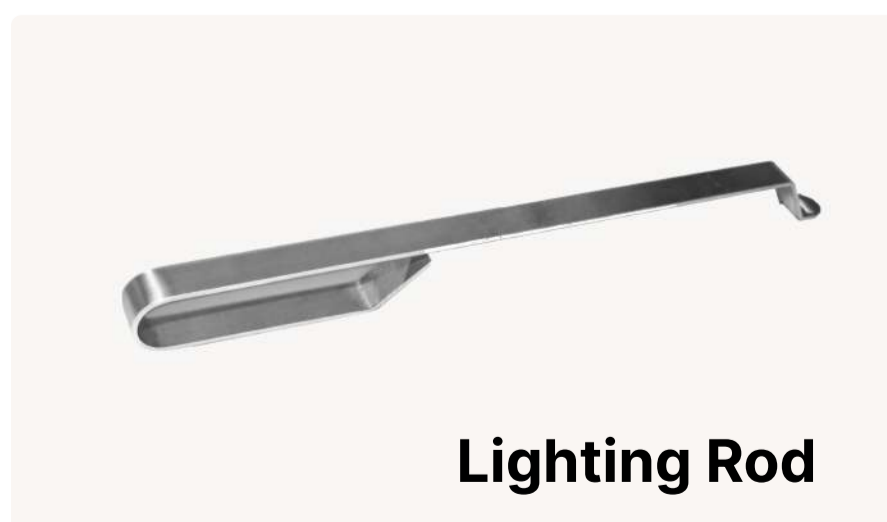


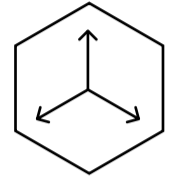
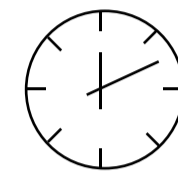
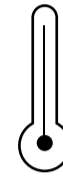
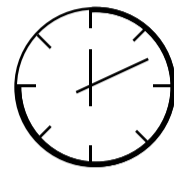
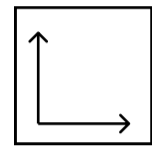
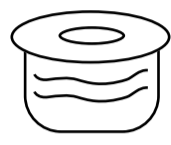
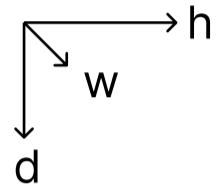
Free Standing Collection Allure



Included Accessories



Free Standing Collection Allure



Dimensions H x W x D mm/in	Fuel Capacity	Heats on Average (indoors)	Fuel Consumption	Thermal Output Net (MAX)	Approx. Burn Time	Minimum Room Size (per burner)
720 × 1200 × 440 28.3 × 47.2 × 17.3	2.5L	Over 69m ² [742 ft ²]	0.89L per hour	17,000 BTU/h 5.0 Kw	2.8 hours	150 sq. ft.

Awards

2010 Winner Outdoor Hearth Products
Vesta Awards

Application

Indoor & Outdoor

Burner Size

16" Burner

Materials

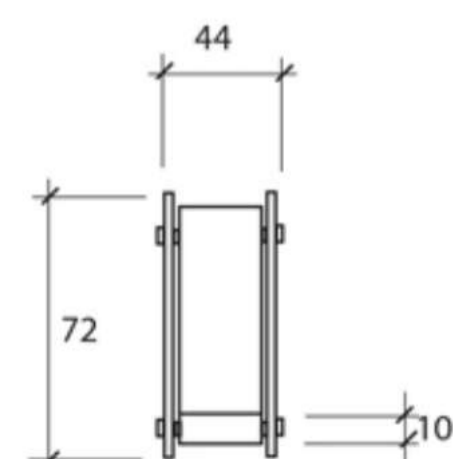
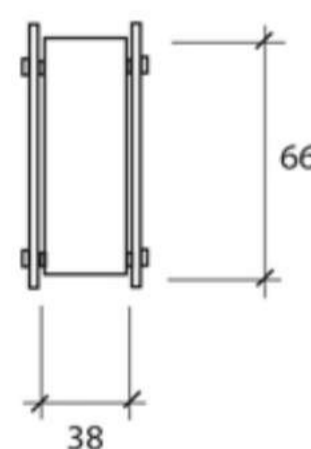
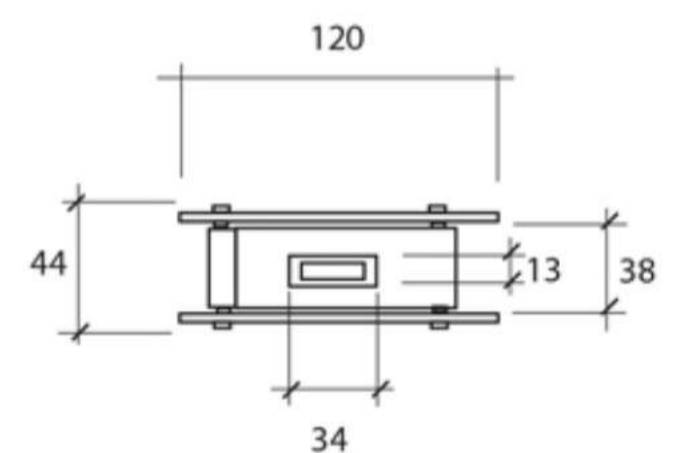
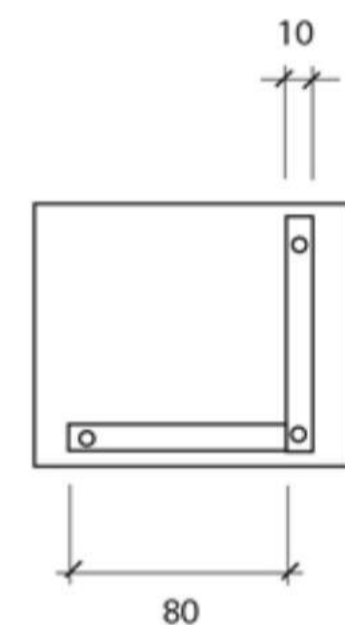
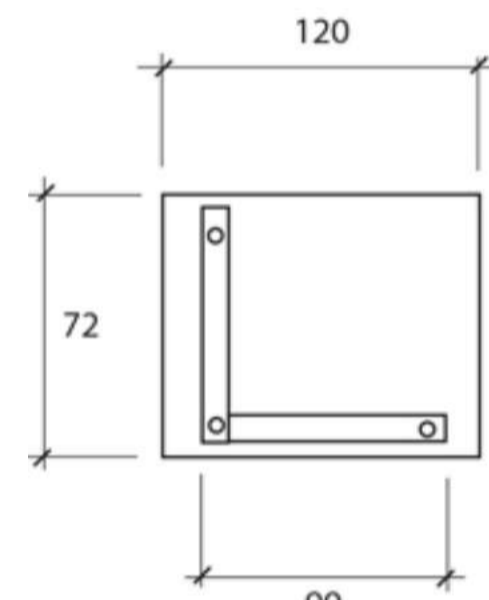
Stainless Steel Firebox Construction
Brushed Stainless Steel Interior
10mm Tempered Glass

Approx. Weight

88 lbs

Fuel Type

Bio Ethanol Fuel



Lifetime Warranty

FOR MORE INFORMATION PLEASE REFERENCE THE CLEARANCE & INSTALLATION MANUAL

*Dimensions may vary by 2% (plus or minus) due to material attributes. Template not provided. The Bio Flame recommends using the actual fireplace or burner model when making final cut out

THE BIOFLAME
EST.2007