

Installation Guide



Table of Contents	2
<hr/>	
Register your Warranty	3
<hr/>	
Certifications	4
<hr/>	
Important Safety Information	5
1. Explosion or Fire Hazard	5
2. Fueling The Burner	5
3. Operating The Burner	6
4. Burner Accessories	6
<hr/>	
The Bio Flame's Ethanol Fuel	7
<hr/>	
Clearances & Installation	8
1. Ideal Location	8
2. Ventilation	8
3. Installation	10
a. Single Sided Fireboxes	11
b. Double Sided Fireboxes	17

Why Register Your Warranty?

Registering your warranty goes beyond just activating it; it allows our head office to communicate crucial safety and regulatory information to you when necessary.

This includes:

- Timely notification in the unlikely event of a potential hazard
- Updates on fuel storage regulations, supply channels, or exclusive offers
- Reminders about regular safety procedures and maintenance
- Announcements of new models or accessories that complement or enhance your purchase.

If you purchased your product through an external distributor, retailer, or agent, please note that we may not have these details on file. We encourage you to register your warranty today online at <https://thebioflame.com/pages/warranty>

Considerations:

- Failure to properly install the burner will void the warranty and render the product unapproved for use with the included burner.
- Installation costs will not be reimbursed as damages for any reason whatsoever.
- The Bio Flame will not be held responsible for any incidental or consequential defects on goods or individuals.
- The warranty will not apply if devices have been subjected to abnormal use or if they are used under conditions other than the intended ones.
- The warranty will not apply in case of deterioration or accident due to negligence or damage caused by failing to maintain and service the device or resulting from an alteration of material.

Certifications



All Bio Flame burners are **CE-certified**, signifying compliance with international safety standards.

Our products are tested and certified in accordance with **EN 16647**, ensuring they meet safety, material quality, and production standards for bioethanol fireplaces.

Additionally, Bio Flame is in the process of obtaining **OMNI-Test Laboratories Inc. (OTL)** certification in accordance with **UL 1370**, reinforcing our commitment to meeting the highest industry safety standards.

Bioethanol fireplaces are classified by regulations and standards as decorative fireplace appliances intended for occasional use only (not for heating).



Explosion or Fire Hazard

- a. We recommend using The Bio Flame's Bioethanol Fuel for optimal function. Under no circumstances should gasoline be used.
- b. Store fuel only in the original container. Keep it away from the area where the appliance is located.
- c. Before refueling, make sure the fuel chamber is completely empty and cooled down.
- d. Immediately wipe up any spills with a dry cloth, followed by a cloth dampened with water. Allow the area to dry completely before relighting the Burner.
- e. Do not operate the appliance in a room where oxygen tanks are in use or if flammable vapors are present.
- f. This appliance is designed for decorative purposes only and is not suitable for continuous operation. Do not use the appliance to heat or boil water, or as a cooking appliance. Additionally, refrain from placing wood, charcoal, paper, or other combustible objects in the Fire.
- g. Do not attempt to move or relocate the appliance while it is in use.

Fueling The Burner

- a. The Bio Flame's Bioethanol Fuel and any other recommended fuel are flammable liquids; therefore, they should be stored in the original container, away from heat and sources of ignition.
- b. The Bio Flame is not liable for any damage caused by using any other type of fuel other than the recommended ones.

Operating The Burner

- a. Do not use the appliance if it is damaged or malfunctioning.
- b. Only use the lighting rod and lighter provided with your appliance to ignite the fireplace. Using matches or other lighters could result in serious injury.
- c. Remove the Burner frequently to check for residual fuel underneath. Fuel accumulation underneath could cause an explosion.
- d. Never leave a fire unattended.
- e. The appliance must be fully assembled before operation. Failure to install will void the warranty and render the product unapproved for use with the included burner.
- f. For manual Burners, the lid on the Burners will become very hot during operation and will remain hot for up to 60 minutes after use. To avoid injury, refrain from touching it with any parts of your body or with any combustible materials such as matches or flammable liquids. Always use the lighting rod provided with your appliance to open or close the lid.

Burner Accessories

- a. Only use authorized accessories and tools with your appliance. Accessories and tools supplied by The Bio Flame are strongly recommended. Light the appliance only with the lighting rod and lighter provided.
- b. To reduce the risk of fire or injury, do not modify the appliance in any way.
- c. Pebbles or other refractory decorative fire accessories should not be placed directly over the Burner's mouth or interfere with the flame.



Use of The Bio Flame's Bioethanol Fuel:

The Bio Flame's Bioethanol Fuel is the fuel recommended to use with all The Bio Flame burners. As an alternative, you can also use e-NRG with your burner.

Flammable:

It is imperative to familiarize yourself with and adhere to local regulations to safely store, handle, decant, and utilize The Bio Flame's Bioethanol Fuel.



Ethanol, the primary component of The Bio Flame's Bioethanol Fuel, poses a significant flammability risk if proper precautions to minimize the likelihood of ignition are not followed.

To order your The Bio Flame's Bioethanol Fuel, please go to our website www.thebioflame.com

Ideal Location

For optimal safety and performance, the best location for your Firebox is:

- In a spacious, open area at least 1500mm (59.1 inches) away from any combustible materials, such as curtains, wallpaper, or veneer.
- Select a location for the appliance, considering the required minimum room sizes and clearances to walls and combustible materials as specified in the manual. Ensure adequate clearance around air openings and for service access.
- If installed outdoors, the firebox must be located under a protective overhang to avoid water damage. The warranty is void if the product is damaged due to installation in an exposed location.
- When not in use, keep the burner lid closed to prevent debris from falling into the burner chamber and causing contamination.
- Ensure the fire is positioned away from flammable materials and other sources of ignition at all times. Due to high temperatures, locate the appliance out of traffic and away from furniture and draperies.
- Pay close attention to positioning the fire away from items that may move due to wind and drafts, such as trees, branches, curtains, and paper.
- Keep children at a safe distance at all times and never leave them unsupervised when the appliance is on or hot.

Ventilation

The Bio Flame Burners operate without the need for any permanent fixture or fitting, such as a flue for ventilation or a fixed utility for fuel supply. To ensure sufficient ventilation, please make sure to adhere to the Minimum Room Size per burner shown in the table below. These ventilation requirements must always be met.

NOTE: This appliance is not intended for use as a primary heat source. It is tested and approved as either a supplemental room heater or a decorative appliance.

Clearances & Installation

The table below outlines the efficiency specifications for each burner. Please be aware that these values are indicative and may vary depending on the installation and the quality of the purchased fuel.

FIREBOX SIZE	BURNER(S)	MIN ROOM SIZE	BTU
24"	16"	60 m2	19839
24"	18" RC	40 m2	16049
38"	16"	60 m2	19839
38"	18" RC	40 m2	16049
38"	24"	40 m2	14141
38"	24" RC	50 m2	18222
XL	30"	60 m2	23456
XL	36"	–	–
XL	36" RC	–	–
60"	48"	90 m2	31286
60"	48" RC	70 m2	28461
72"	48"	90 m2	31286
72"	60"	100 m2	40000
72"	48" RC	70 m2	28461
72"	60" RC	120 m2	49181
84"	60"	100 m2	40000
84"	72"	130 m2	47778
84"	60" RC	120 m2	49181
84"	72" RC	130 m2	62150
96"	72"	130 m2	47778
96"	84"	160 m2	62224
96"	72" RC	130 m2	62150
96"	84" RC	130 m2	73400

Installation

WARNING: Do not install directly beside or near wallpaper, laminate, veneer, or any surface not designed to withstand heat and high temperatures. Heat can affect these materials and, in some cases, the glue used for their application. The area around the appliance gets hot. Avoid using heat-sensitive or reactive materials. Do not place flammable objects on or around the apparatus.

These appliances are not designed to incorporate doors or opening covers. The appliance must remain open at all times for ventilation – it is not designed to operate as an oven or similar “hot box.” The flame requires a constant supply of air to function properly and distribute heat effectively.

Do not modify the appliance in any way during installation. Cutting of sheet metal parts of the appliance is prohibited. Expansion and contraction of internal parts due to heating and cooling may create noise. This is normal.

WARNING: Do not operate without the glass windscreen. The appliance must be fully assembled before use. Failure to install (or removal of) glass panels will void the warranty and render the product unapproved for use with the included burner.



NOTE: If installing a firebox beneath a television, ensure a minimum clearance of 14 inches (35.5 cm) from the top of the firebox to the bottom of the recessed TV.

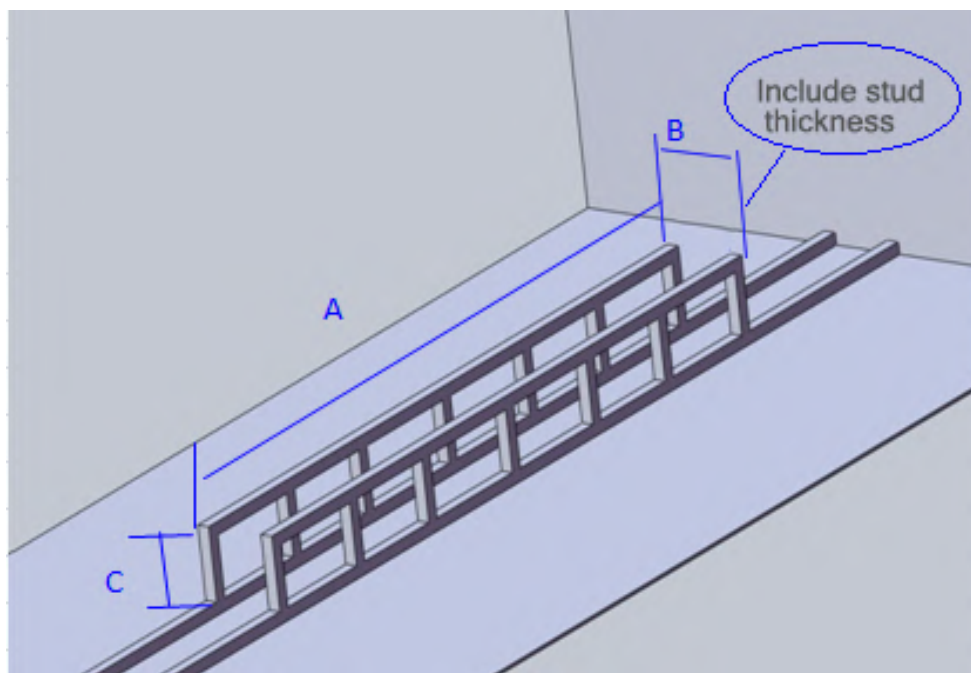
There are various installation options available for the Burner. Regardless of the variation, the Burner must adhere to the following guidelines:

- It must be installed exclusively into non-combustible materials, such as stainless steel, concrete, brick, and natural stone.
- Installation should take place only after all gas connections or pipelines in the area are disconnected and secured by a qualified and licensed professional.
- The Burner should be securely fixed in position before filling, lighting, and operating. Moving the Burner poses a risk of accidental fuel spillage. If relocation is necessary, ensure no fuel spilled before ignition.
- It must be mounted on a level surface made of non-combustible materials.

Single Sided Fireboxes

NOTE: Non-combustible materials must be used around the firebox. The firebox cavity must be lined with a minimum of 3/8" thick cement board.

NOTE: If your burner is RC/SMART please Ensure there is an electrical socket on the right side under or near the cavity for the burner when facing the fireplace. Ideally, install a switch outside the cavity to control the power supply.



1. Build the main framework with the opening size shown in the table below according to your Firebox.

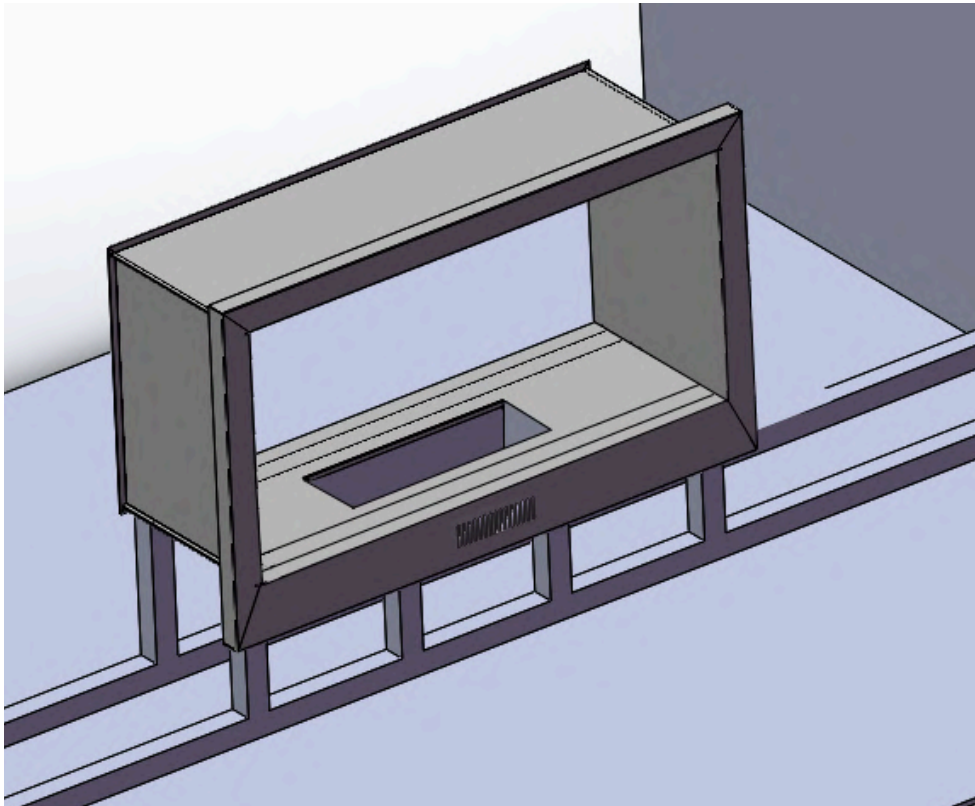
FIREBOX SIZE	BURNER(S)	W IN [MM] (A)	D IN [MM] (B)	H IN [MM] (C)
24"	16"	20.85 [529.6]	9.17 [232.9]	6 [152.4]
24"	18" RC	20.85 [529.6]	9.17 [232.9]	7.4 [188]
38"	16"	35.43 [900]	11.55 [293.5]	6 [152.4]
38"	18" RC	35.43 [900]	11.55 [293.5]	7.4 [188]
38"	24"	35.43 [900]	11.55 [293.5]	6.5 [165]
38"	24" RC	35.43 [900]	11.55 [293.5]	7.4 [188]

Clearances & Installation

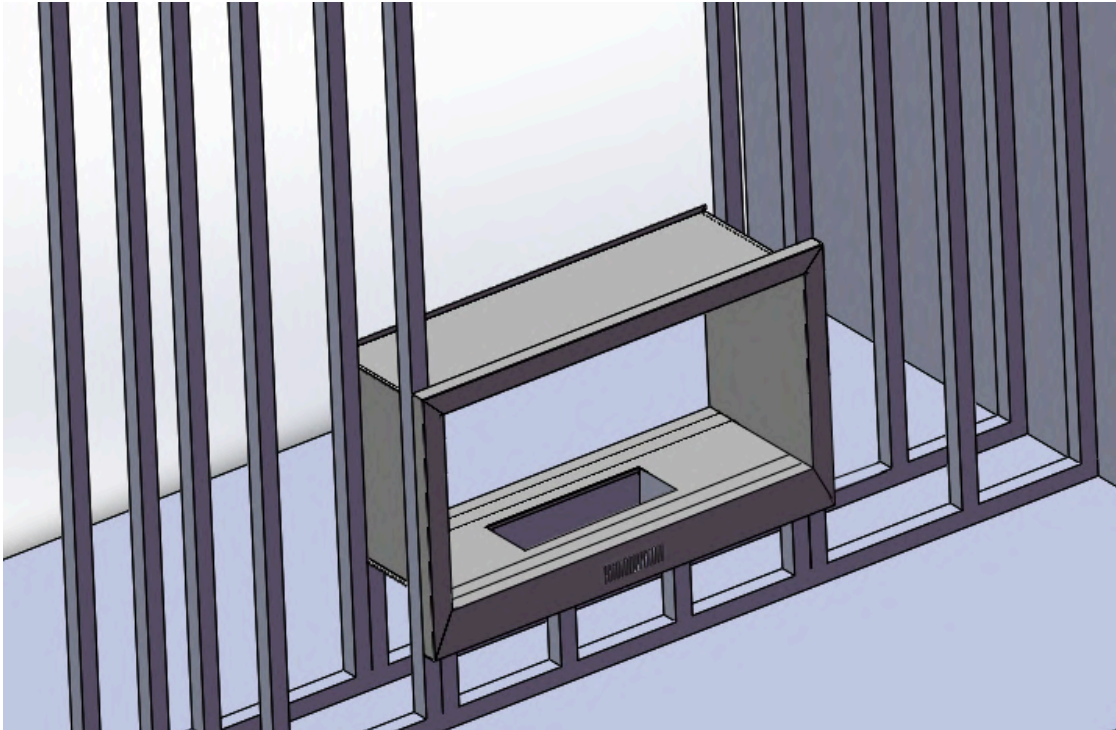


FIREBOX SIZE	BURNER(S)	W IN [MM] (A)	D IN [MM] (B)	H IN [MM] (C)
XL	30"	47.91 [1217]	14.3 [363]	7.4 [188]
XL	36"	47.91 [1217]	14.3 [363]	6.5 [165]
XL	36" RC	47.91 [1217]	14.3 [363]	7.4 [188]
60"	48"	57.64 [1464]	14.49 [368]	6.5 [165]
60"	48" RC	57.64 [1464]	14.49 [368]	7.4 [188]
72"	48"	69.64 [1768.8]	14.49 [368]	6.5 [165]
72"	60"	69.64 [1768.8]	14.49 [368]	6.5 [165]
72"	48" RC	69.64 [1768.8]	14.49 [368]	7.4 [188]
72"	60" RC	69.64 [1768.8]	14.49 [368]	7.4 [188]
84"	60"	81.64 [2073.6]	14.49 [368]	6.5 [165]
84"	72"	81.64 [2073.6]	14.49 [368]	6.5 [165]
84"	60" RC	81.64 [2073.6]	14.49 [368]	7.4 [188]
84"	72" RC	81.64 [2073.6]	14.49 [368]	7.4 [188]
96"	72"	92.85 [2358.4]	14.49 [368]	6.5 [165]
96"	84"	93.64 [2378.4]	14.49 [368]	6.5 [165]
96"	72" RC	92.85 [2358.4]	14.49 [368]	7.4 [188]
96"	84" RC	93.64 [2378.4]	14.49 [368]	7.4 [188]

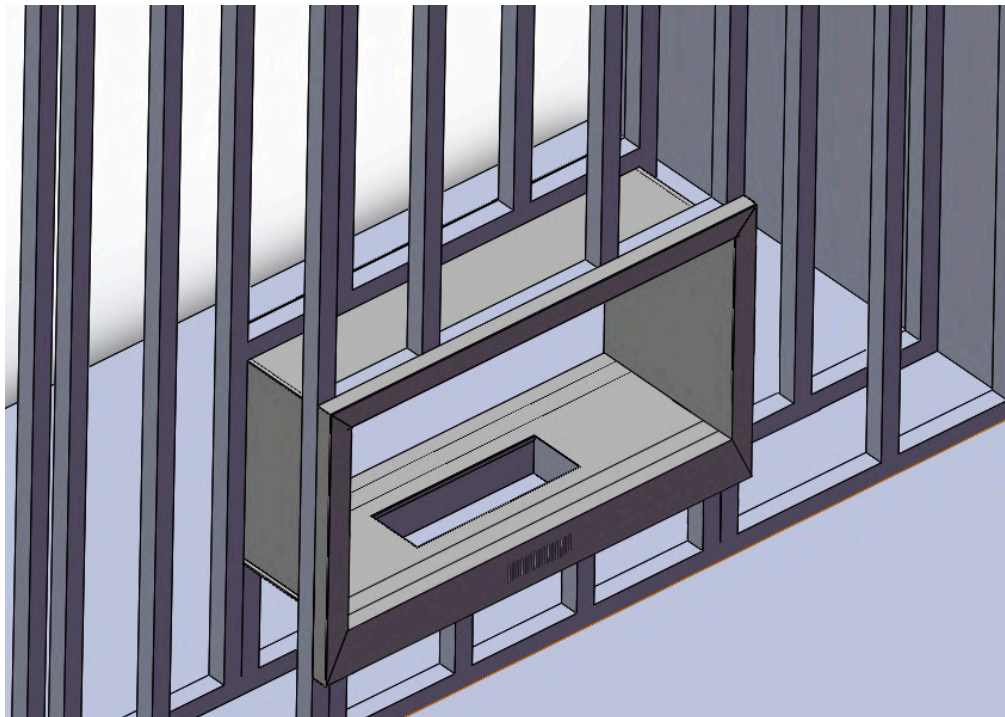
2. Line the base with cement board and insert your Firebox into the base, ensuring a secure fit.
3. Make sure the Firebox is centered within the base to maintain balance and stability.



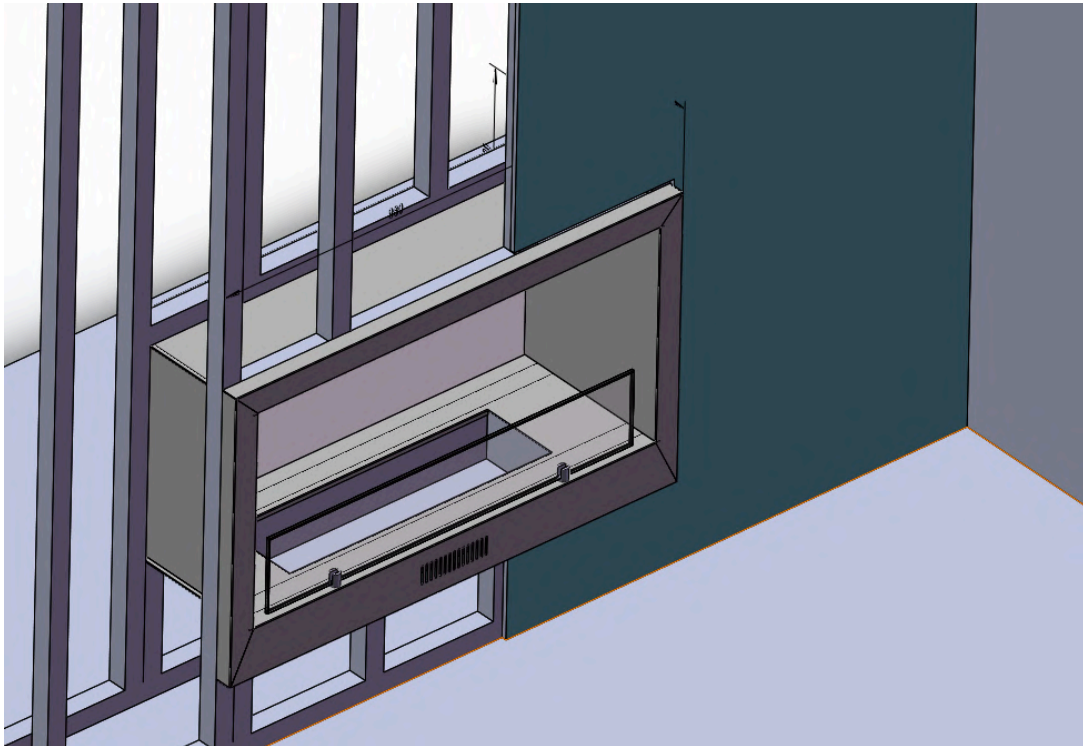
4. Continue constructing the wall around the Firebox, ensuring a layer of cement board is placed between the stud and the Firebox on all sides for added insulation and safety.
5. The first stud on either side of the Firebox must be flush with the Firebox and its flange to provide proper support.



6. Install a horizontal stud on top of the Firebox to support the continuation of the wall structure. Secure this stud directly to the Firebox brackets using 0.5-inch metal zips for stability.
7. Proceed with constructing the rest of the wall, ensuring all elements are properly aligned and secured.
8. Support the Firebox by screwing around the flange into the adjacent studs, ensuring the Firebox is securely anchored.



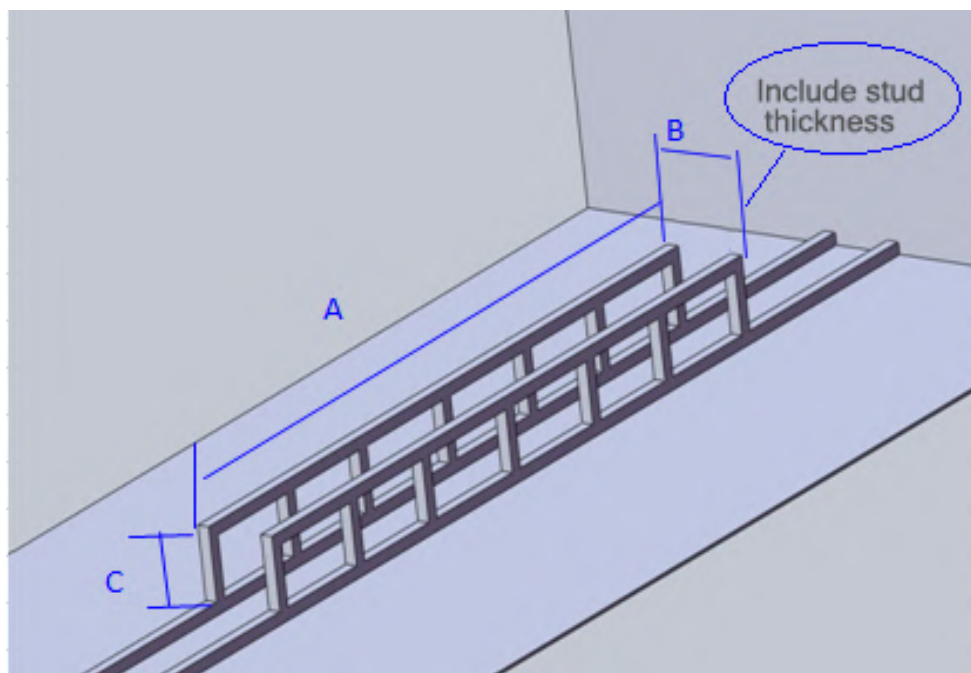
9. Cover the Firebox with your chosen materials such as sheetrock, wonderboard, or stones to complete the wall's aesthetic and protective layer.
10. Carefully mount the glass into the Firebox, following the manufacturer's instructions for secure placement.



Double Sided Fireboxes

NOTE: Non-combustible materials must be used around the firebox. The firebox cavity must be lined with a minimum of 3/8" thick cement board.

NOTE: If your burner is RC/SMART please Ensure there is an electrical socket on the right side under or near the cavity for the burner when facing the fireplace. Ideally, install a switch outside the cavity to control the power supply.



1. Build the main framework with the opening size shown in the table below according to your Firebox.

FIREBOX SIZE	BURNER(S)	W IN [MM] (A)	D IN [MM] (B)	H IN [MM] (C)
24"	16"	20.85 [529.6]	7.85 [199.4]	6 [152.4]
24"	18" RC	20.85 [529.6]	7.85 [199.4]	7.3 [185]
38"	16"	35.43 [900]	10.24 [260]	6.5 [165]
38"	18" RC	35.43 [900]	10.24 [260]	7.4 [188]
38"	24"	35.43 [900]	10.24 [260]	6.5 [165]
38"	24" RC	35.43 [900]	10.24 [260]	7.4 [188]

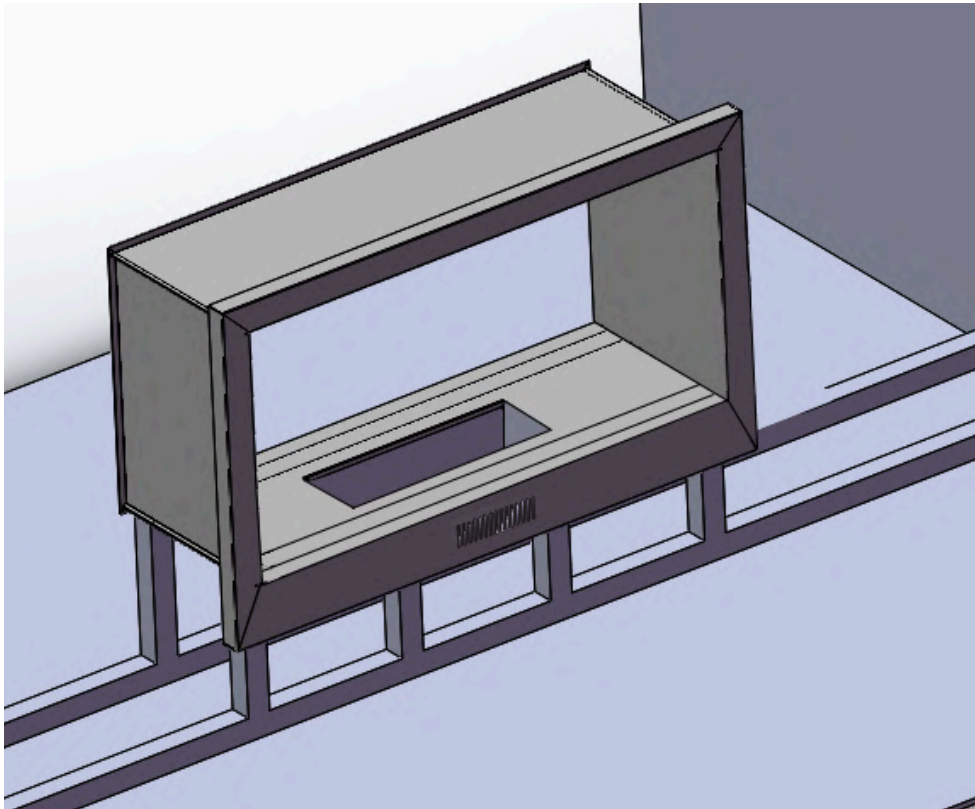
Clearances & Installation



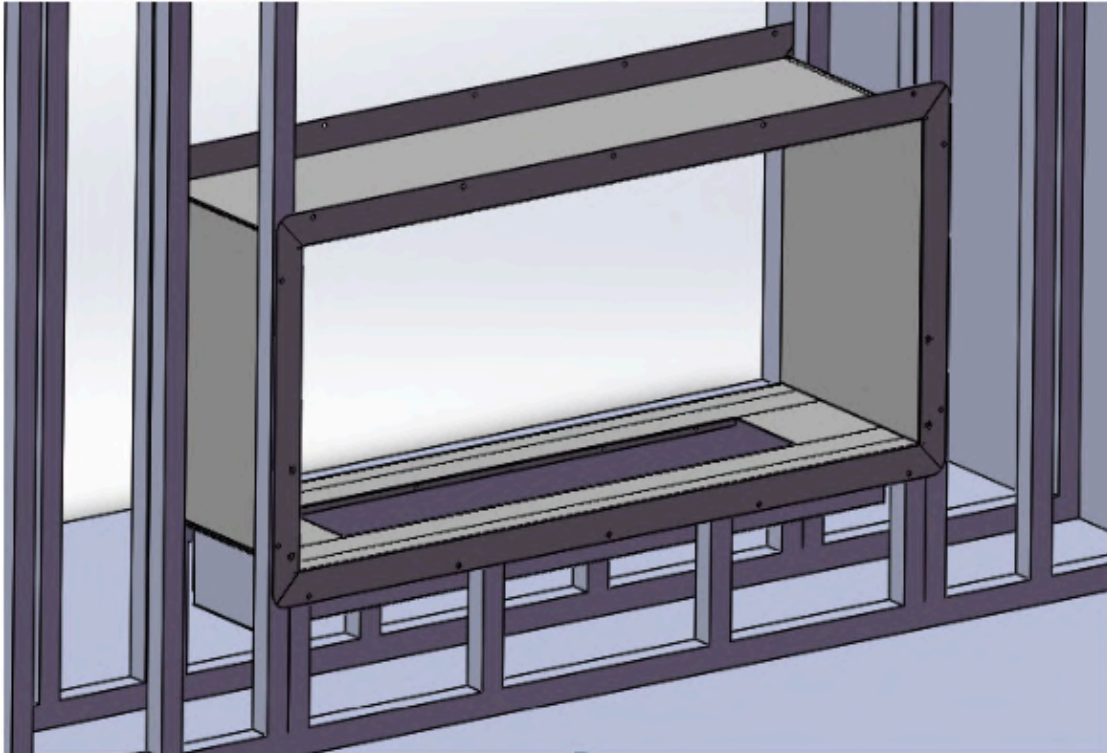
FIREBOX SIZE	BURNER(S)	W IN [MM] (A)	D IN [MM] (B)	H IN [MM] (C)
XL	30"	47.91 [1217]	14.3 [363]	7.4 [188]
XL	36"	47.91 [1217]	14.3 [363]	6.5 [165]
XL	36" RC	47.91 [1217]	14.3 [363]	7.4 [188]
60"	48"	57.64 [1464]	14.49 [368]	6.5 [165]
60"	48" RC	57.64 [1464]	14.49 [368]	7.4 [188]
72"	48"	69.64 [1768.8]	14.49 [368]	6.5 [165]
72"	60"	69.64 [1768.8]	14.49 [368]	6.5 [165]
72"	48" RC	69.64 [1768.8]	14.49 [368]	7.4 [188]
72"	60" RC	69.64 [1768.8]	14.49 [368]	7.4 [188]
84"	60"	81.64 [2073.6]	14.49 [368]	6.5 [165]
84"	72"	81.64 [2073.6]	14.49 [368]	6.5 [165]
84"	60" RC	81.64 [2073.6]	14.49 [368]	7.4 [188]
84"	72" RC	81.64 [2073.6]	14.49 [368]	7.4 [188]
96"	72"	92.85 [2358.4]	14.49 [368]	6.5 [165]
96"	84"	93.64 [2378.4]	14.49 [368]	6.5 [165]
96"	72" RC	92.85 [2358.4]	14.49 [368]	7.4 [188]
96"	84" RC	93.64 [2378.4]	14.49 [368]	7.4 [188]

Clearances & Installation

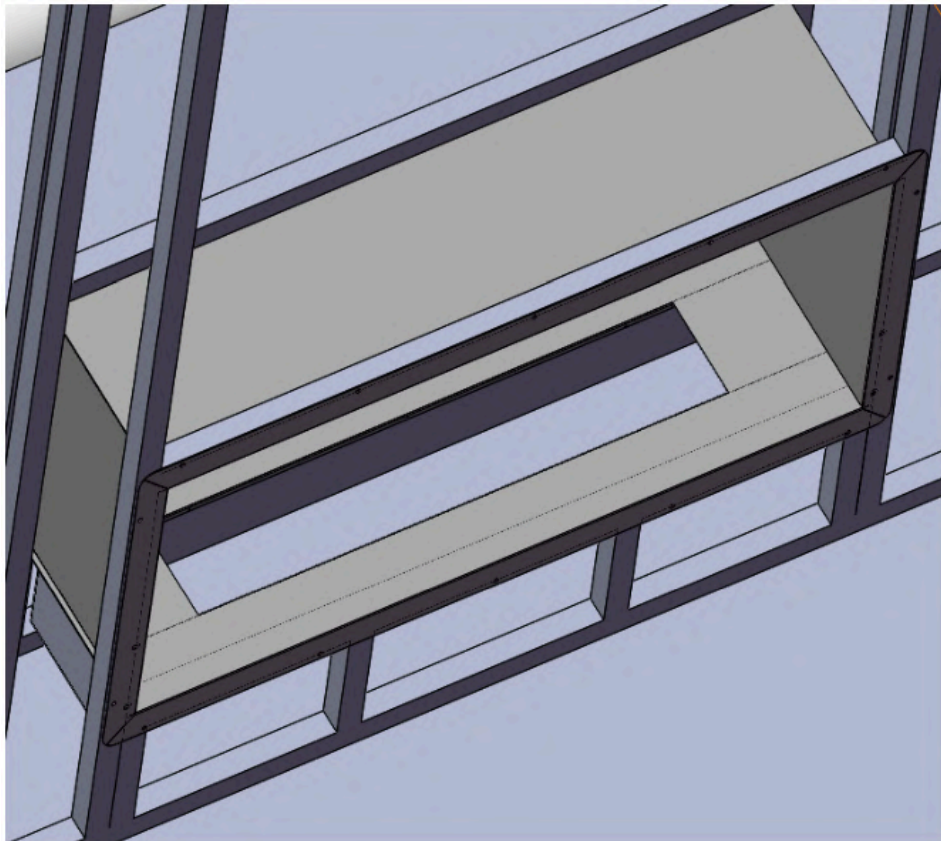
2. Line the base with cement board and insert your Firebox into the base, ensuring a secure fit.
3. Make sure the Firebox is centered within the base to maintain balance and stability.



4. Continue constructing the wall around the Firebox, ensuring a layer of cement board is placed between the stud and the Firebox on all sides for added insulation and safety.
5. The first stud on either side of the Firebox must be flush with the Firebox and its flange to provide proper support.



6. Install a horizontal stud on top of the Firebox to support the continuation of the wall structure. Secure this stud directly to the Firebox brackets using 0.5-inch metal zips for stability.
7. Proceed with constructing the rest of the wall, ensuring all elements are properly aligned and secured.
8. Support the Firebox by screwing around the flange into the adjacent studs, ensuring the Firebox is securely anchored.



9. Cover the Firebox with your chosen materials such as sheetrock, wonderboard, or stones to complete the wall's aesthetic and protective layer.
10. Carefully mount the glass into the Firebox, following the manufacturer's instructions for secure placement.

