

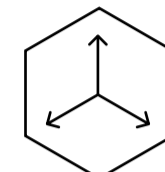
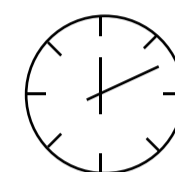
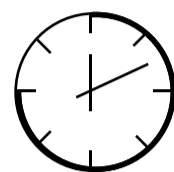
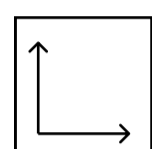
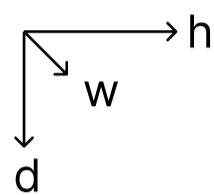
# Wall Mount Collection Pure



## Included Accessories



# Wall Mount Collection Pure



Dimensions H x W x D mm/in	Fuel Capacity	Heats on Average (indoors)	Fuel Consumption	Thermal Output Net (MAX)	Approx. Burn Time	Minimum Room Size (per burner)
600 × 600 × 280 23.6 × 23.6 × 11.0	300 ml per canister	Over 23m <sup>2</sup> [248 ft <sup>2</sup> ]	0.30L per hour	8,000 BTU/h 2.3 Kw	7 hours	150 sq. ft.

## Awards

2010 Winner Outdoor Hearth Products  
Vesta Awards

## Application

Indoor & Outdoor

## Canisters

2 Fuel Canisters

## Materials

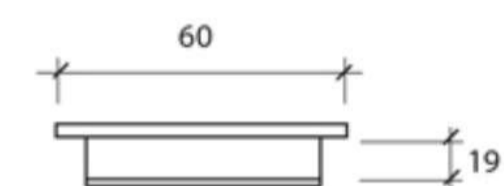
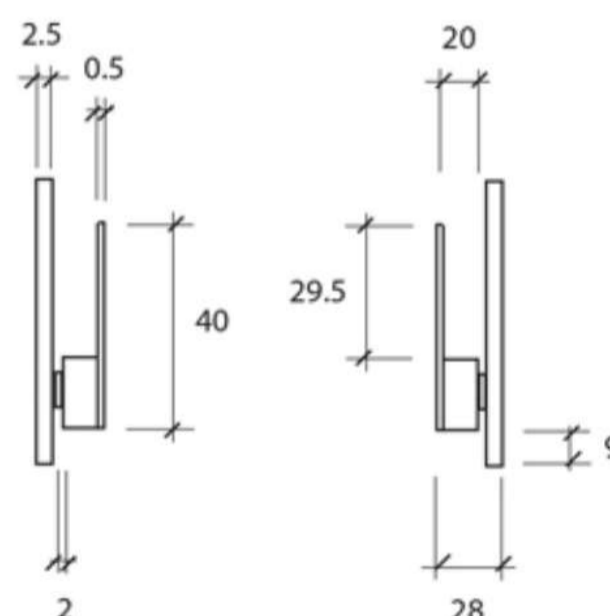
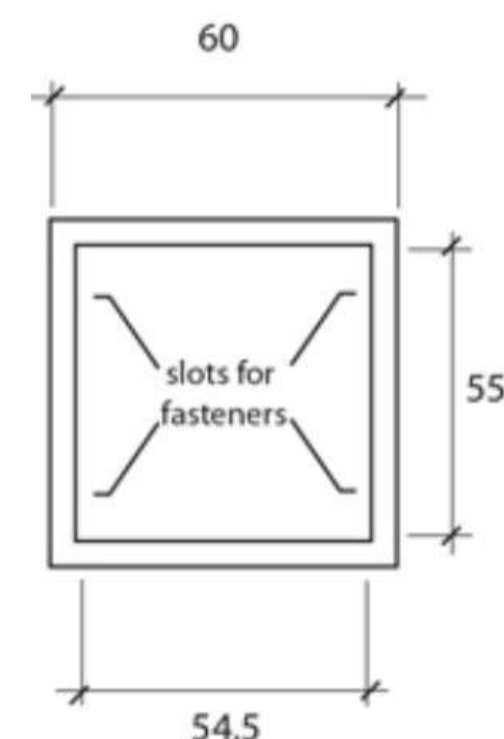
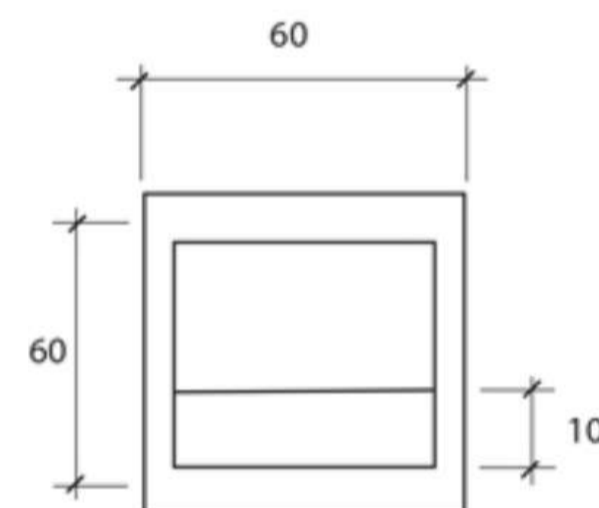
Stainless Steel Construction  
8mm Tempered Glass

## Approx. Weight

44 lbs

## Fuel Type

Bio Ethanol Fuel



Global Compliance  
All burners are UL Listed in accordance with ANSI/  
UL1370 in the USA and comply with the ACCC Safety  
Mandate for Australia.



Lifetime Warranty

FOR MORE INFORMATION PLEASE REFERENCE THE CLEARANCE & INSTALLATION MANUAL

\*Dimensions may vary by 2% (plus or minus) due to material attributes. Template not provided. The Bio Flame recommends using the actual fireplace or burner model when making final cut out

