

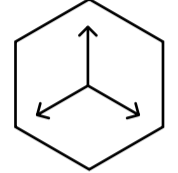
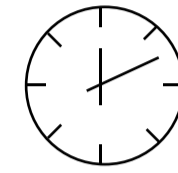
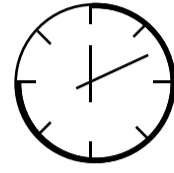
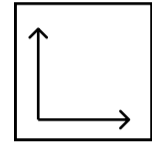
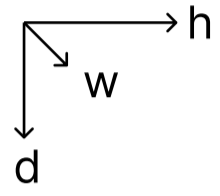
Wall Mount Collection Pure



Included Accessories



Wall Mount Collection Pure



Dimensions H x W x D mm/in	Fuel Capacity	Heats on Average (indoors)	Fuel Consumption	Thermal Output Net (MAX)	Approx. Burn Time	Minimum Room Size (per burner)
600 × 600 × 280 23.6 × 23.6 × 11.0	300 ml per canister	Over 23m ² [248 ft ²]	0.30L per hour	8,000 BTU/h 2.3 Kw	7 hours	150 sq. ft.

Awards

2010 Winner Outdoor Hearth Products
Vesta Awards

Application

Indoor & Outdoor

Canisters

2 Fuel Canisters

Materials

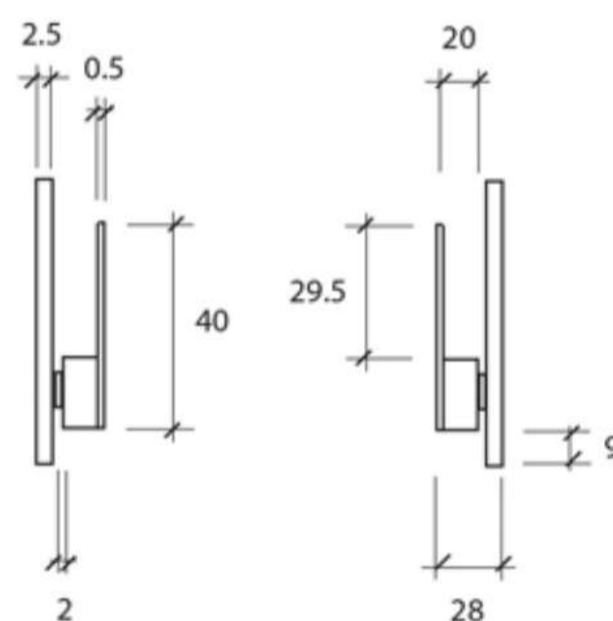
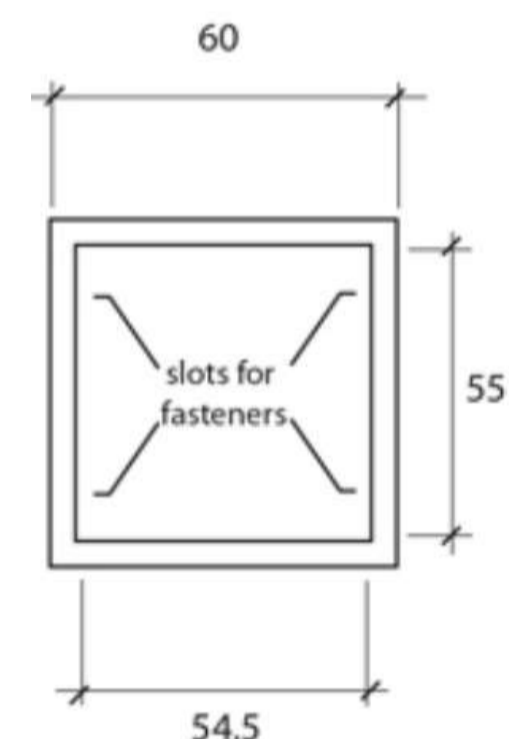
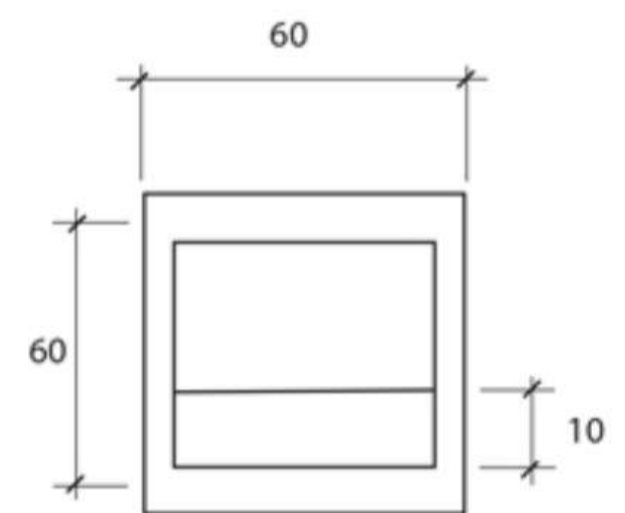
Stainless Steel Construction
8mm Tempered Glass

Approx. Weight

44 lbs

Fuel Type

Bio Ethanol Fuel



Lifetime Warranty

FOR MORE INFORMATION PLEASE REFERENCE THE CLEARANCE & INSTALLATION MANUAL

*Dimensions may vary by 2% (plus or minus) due to material attributes. Template not provided. The Bio Flame recommends using the actual fireplace or burner model when making final cut out

