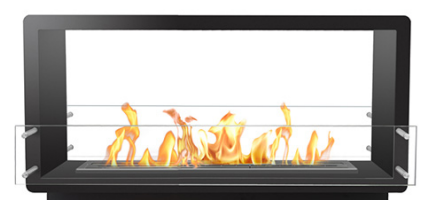


Firebox Collection

XL Firebox DS



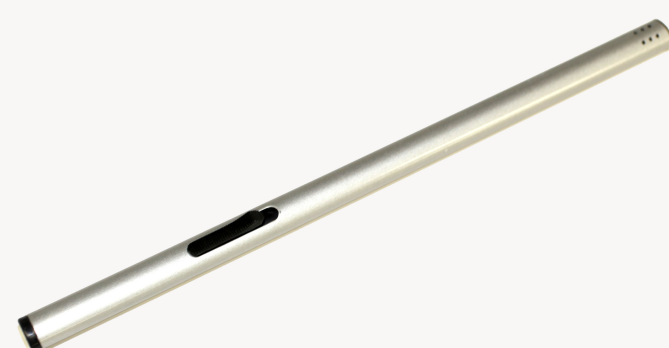
Black



Included Accessories



Lighting Rod



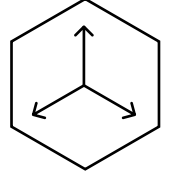
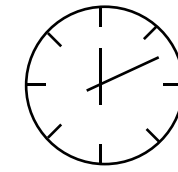
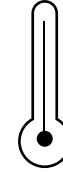
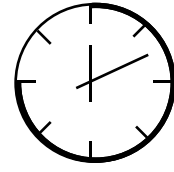
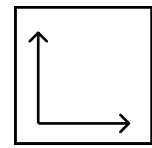
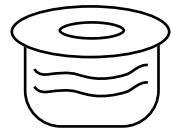
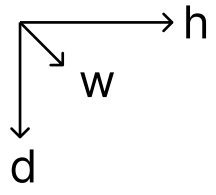
Lighter



Funnel

Firebox Collection

XL Firebox DS



Dimensions H x W x D mm/in	Fuel Capacity	Heats on Average (indoors)	Fuel Consumption	Thermal Output Net (MAX)	Approx. Burn Time	Minimum Room Size (per burner)
658 × 1300 × 376 25.8 × 51.2 × 14.8	11L	Over 93m ² [1,001 ft ²]	1L per hour	27,000 BTU/h 7.9 Kw	11 hours	150 sq. ft.

Awards

2010 Winner Outdoor Hearth Products
Vesta Awards

Application

Indoor & Outdoor

Burner Colour

● Stainless Steel ● Black

Materials

Brushed Stainless Steel Internal Frame
8mm Tempered Glass

Burner Size

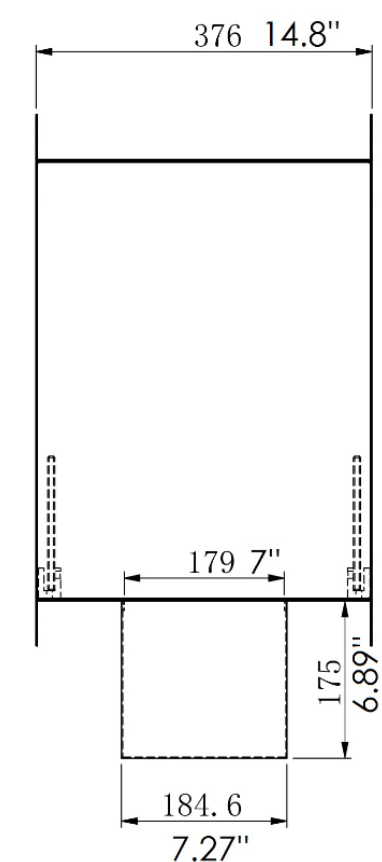
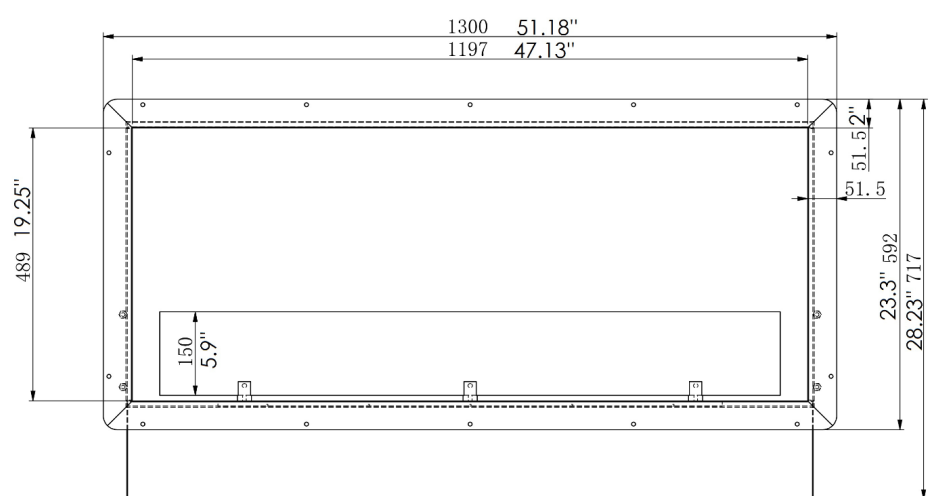
38" Burner

Fuel Type

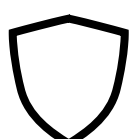
Bio Ethanol Fuel

Other

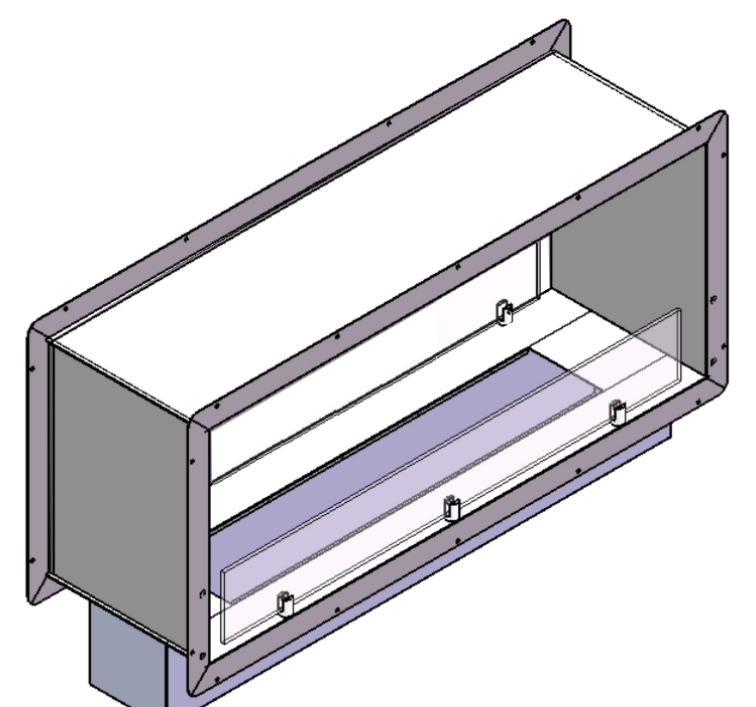
- Double Walled Design
- Fully Insulated
- 304 Stainless Steel Firebox Construction



Global Compliance
All burners are UL Listed in accordance with ANSI/
UL1370 in the USA and comply with the ACCC Safety
Mandate for Australia.



Lifetime Warranty



FOR MORE INFORMATION PLEASE REFERENCE THE CLEARANCE & INSTALLATION MANUAL

*Dimensions may vary by 2% (plus or minus) due to material attributes. Template not provided. The Bio Flame recommends using the actual fireplace or burner model when making final cut out

